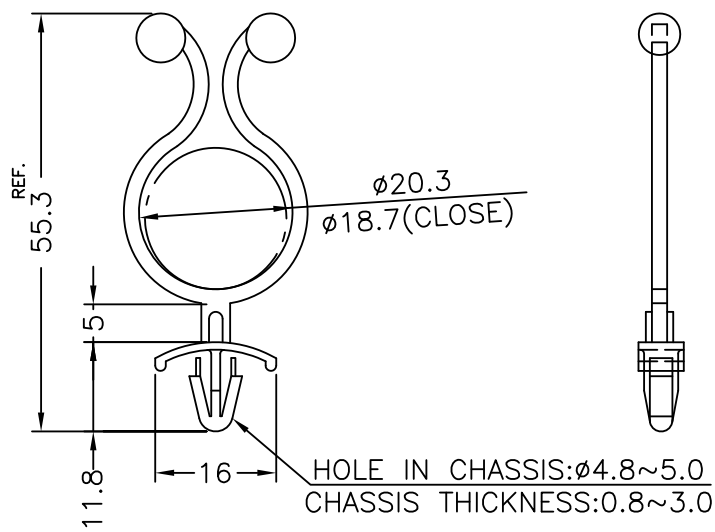


DIM.	TOL
L<5	±0.2
5<L≤20	±0.3
20<L≤40	±0.5
40<L≤60	±0.7
60<L≤100	±0.8
ABOVE 100	±1.0

REVISIONS			
REV	DESCRIPTION	DATE	BY



fastpoint		TITLE	PUSH MOUNT TWIST LOCK
		MATERIAL	PA66 UL94-V2
		FINISH	
		COLOR	NATURAL
PART NUMBER	DRAWING NUMBER	DATE	07/08/2013
6550AA00	13.08.07.6550.E.0	DRAWN	V.P.
SIZE	SCALE	CHECK	
A4	1:1	APPROVED	
UNIT	REV	UNLESS OTHERWISE SPECIFIED TOLERANCE	SEE ABOVE
mm			