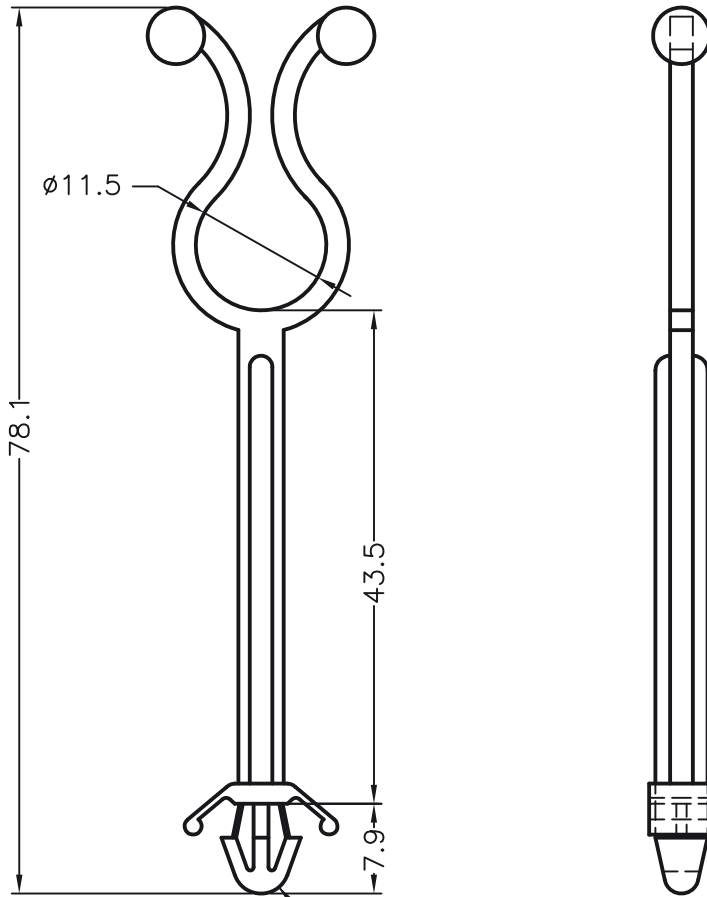


DIM.	TOL
5mm DOWN	±0.2
5~20mm	±0.3
20~40mm	±0.4
40~60mm	±0.5
60~100mm	±0.8
100mm UP	±1.0

REVISIONS			
REV	DESCRIPTION	DATE	BY



HOLE IN CHASSIS: $\phi 4.8\text{mm} \sim \phi 5.0\text{mm}$
 CHASSIS THICKNESS: $0.8\text{mm} \sim 2.7\text{mm}$



fastpoint		TITLE PUSH MOUNT TWIST LOCK		
		MATERIAL PA 66 V2 UL 94	DATE 17/05/2011	
		FINISH	DRAWN D.C.	
		COLOR NATURAL	CHECK	
PART NUMBER 6539AA00	DRAWING NUMBER 11.05.17.6539.0.E	UNLESS OTHERWISE SPECIFIED TOLERANCE SEE ABOVE		
SIZE A4	SCALE 3:2	UNIT mm.	REV C	APPROVED