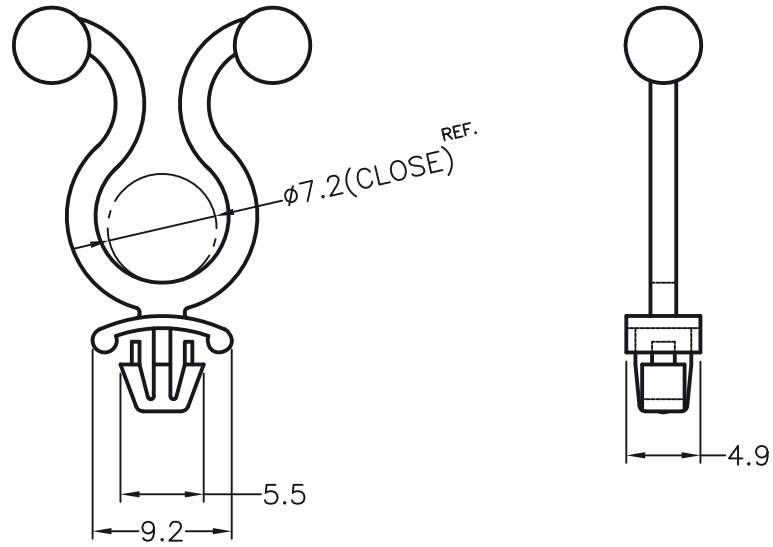


DIM.	TOL
5mm DOWN	±0.2
5~20mm	±0.3
20~40mm	±0.4
40~60mm	±0.5
60~100mm	±0.8
100mm UP	±1.0

REVISIONS			
REV	DESCRIPTION	DATE	BY



HOLE IN CHASSIS  $\phi 4$   
CHASSIS THICKNESS 0.8~2.2



TITLE		PUSH MOUNT TWIST LOCK	
MATERIAL		PA 66 V2 UL 94	DATE 17/05/2011
FINISH			DRAWN D.C.
COLOR		NATURAL	CHECK
UNLESS OTHERWISE SPECIFIED TOLERANCE		SEE ABOVE	APPROVED

PART NUMBER		DRAWING NUMBER	
6538AA00		11.05.17.6538.0.E	
SIZE	SCALE	UNIT	REV
A4	2:1	mm.	C