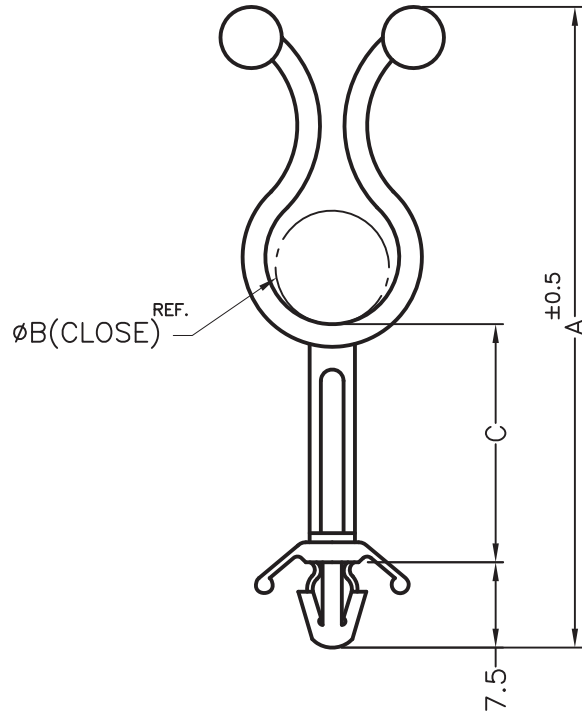


DIM.	TOL
5mm DOWN	±0.2
5~20mm	±0.3
20~40mm	±0.4
40~60mm	±0.5
60~100mm	±0.8
100mm UP	±1.0


REVISIONS			
REV	DESCRIPTION	DATE	BY



HOLE IN CHASSIS $\phi 4.8$
CHASSIS THICKNESS 0.8~2.2

PART NO	A	B	C
6535AA00	56.5	10.4	21.0
6536AA00	59.8	5.0	34.0
6537AA00	37.7	10.4	4.5

NOTE:1. All measurement does not include gate which raises under 0.3mm.
2. It is normal if it is shrinking.

				TITLE PUSH MOUNT TWIST LOCK	
				MATERIAL PA 66 V2 (UL94)	DATE 17/06/2015
PART NUMBER SEE TABLE				FINISH	
				DRAWN D.C.	
DRAWING NUMBER 11.05.17.6535.0.E				COLOR NATURAL	
				CHECK	
SIZE A4	SCALE NTS	UNIT mm.	REV C	UNLESS OTHERWISE SPECIFIED TOLERANCE	
				APPROVED	