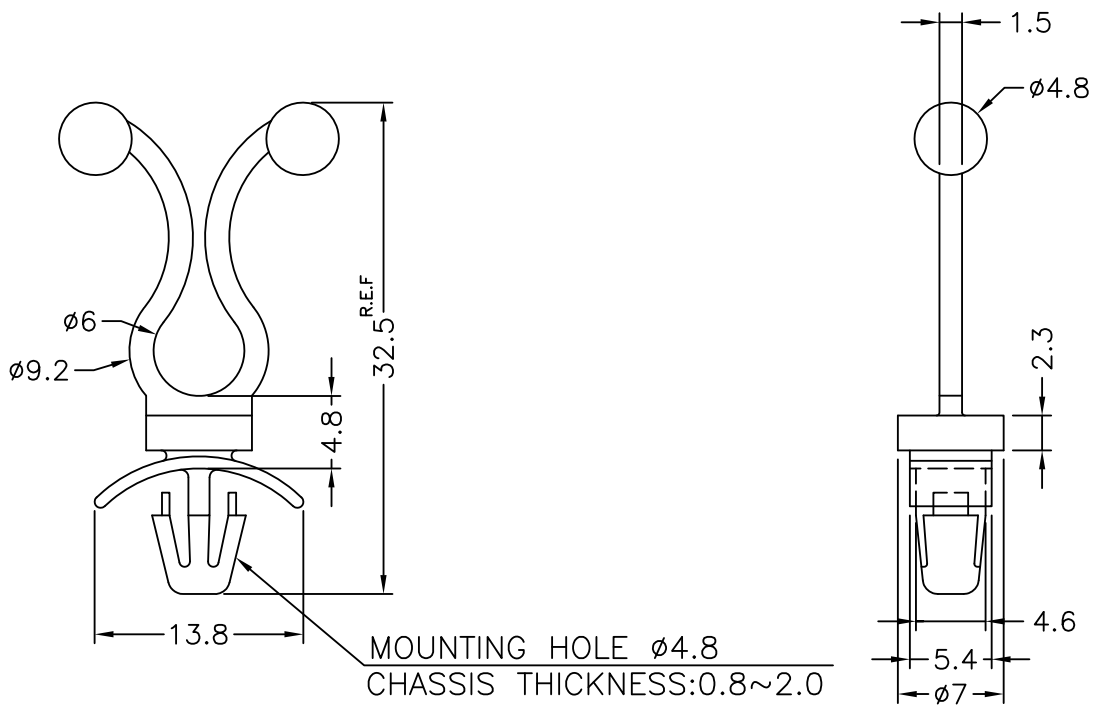


DIM.	TOL
L<5	±0.2
5<L≤20	±0.3
20<L≤40	±0.5
40<L≤60	±0.7
60<L≤100	±0.8
ABOVE 100	±1.0

REVISIONS			
REV	DESCRIPTION	DATE	BY



fastpoint		TITLE	PUSH MOUNT TWIST LOCK		
		MATERIAL	PA66 UL94-V2	07/08/2013	
		FINISH		DRAWN	V.P.
		COLOR	NATURAL	CHECK	
PART NUMBER	DRAWING NUMBER	UNLESS OTHERWISE SPECIFIED TOLERANCE		APPROVED	
6274AA00	13.08.07.6274.E.0	SEE ABOVE			
SIZE	SCALE	UNIT	REV		
A4	2:1	mm			