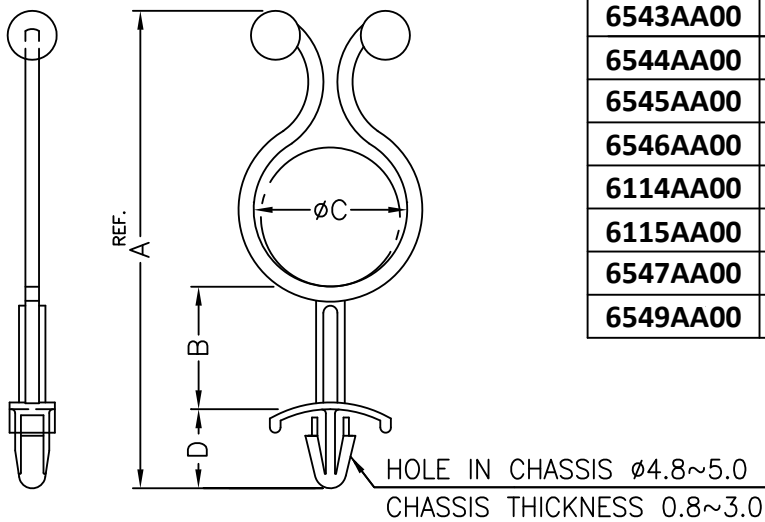


DIM.	TOL
L<5	±0.2
5<L≤20	±0.3
20<L≤40	±0.5
40<L≤60	±0.7
60<L≤100	±0.8
ABOVE 100	±1.0

REVISIONS			
REV	DESCRIPTION	DATE	BY

PART NO.	A	B	C	D	CLOSE C
6540AA00	33.8	3.1	7.1	10.6	6.1
6541AA00	51.0	20.0	7.1	10.6	6.1
6542AA00	66.0	35.3	7.1	10.6	6.1
6543AA00	39.6	2.8	10.8	10.6	9.8
6544AA00	56.8	20.0	10.8	10.6	9.8
6545AA00	71.5	35.2	10.8	10.6	9.8
6546AA00	42.0	3.0	15.0	10.6	13.8
6114AA00	59.3	20.4	15.0	10.6	13.8
6115AA00	74.7	35.8	15.0	10.6	13.8
6547AA00	63.5	16.2	20.0	10.6	18.4
6549AA00	53.1	15.8	11.0	10.8	9.7



TITLE PUSH MOUNT TWIST LOCK			
MATERIAL PA66 UL94-V2		07/08/2013	
FINISH		DRAWN V.P.	
COLOR NATURAL		CHECK	
UNLESS OTHERWISE SPECIFIED TOLERANCE SEE ABOVE		APPROVED	

PART NUMBER SEE ABOVE		DRAWING NUMBER 13.08.07.65XX.E.0	
SIZE A4	SCALE NONE	UNIT mm	REV