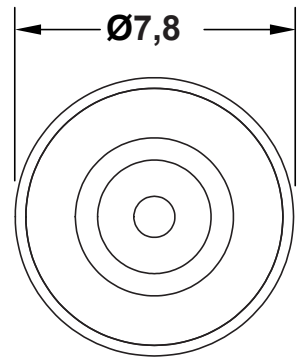
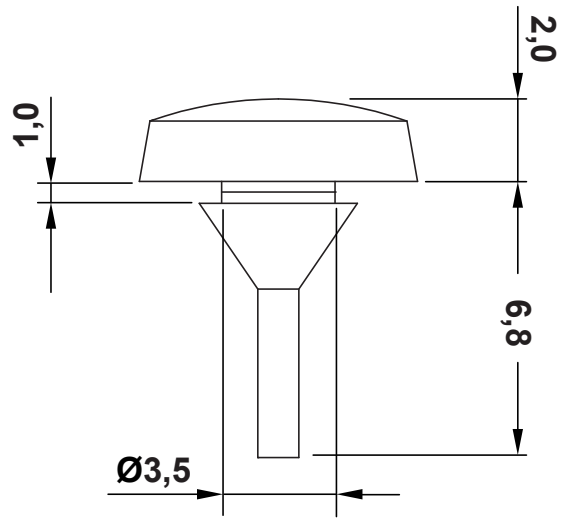


REVISIONS			
REV	DESCRIPTION	DATE	BY



	DESCRIPTION	TITLE: PUSH-IN PVC FEET	DWG UNIT: MM
	MATERIAL: EPDM	<i>Modelled in RHINO 4.0</i> FILE:	DwN: 28.09.22.6060.E.0 ChkD:
	COLOUR: BLACK	SHEET: 1 OF 1	DT: 28/09/22 Part Number: 6060GS01
		GENERAL TOLERANCE: FOR REFERENCE ONLY ± 0,30 UNLESS OTHERWISE STATED ANG.= ± 1°	SCALE: NTS
REV.		DATE	