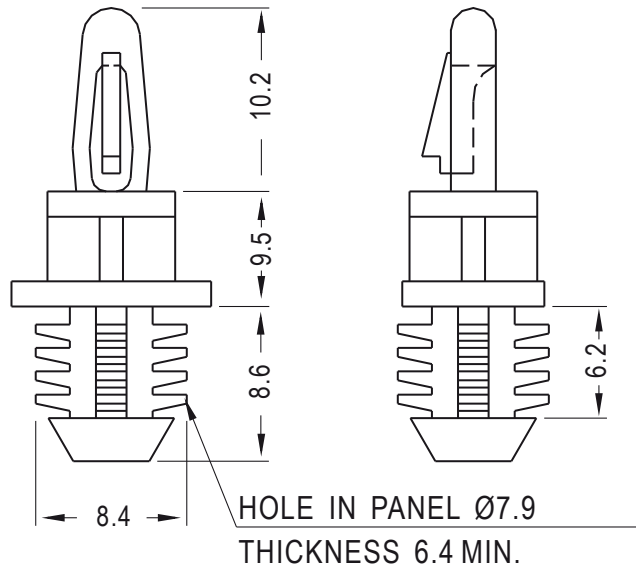


P.C.B Ø4.0  
THICKNESS 1.2~1.7



	DESCRIPTION		TITLE: <b>SPACER SUPPORT</b>	DWG UNIT: MM
	MATERIAL: PA66 (94V-2)		Modelled in RHINO 4.0	FILE:
	COLOUR: NATURAL		TOLLERANCES UNLESS NOTED	DwN: 07/06/11
			.XX= +/-010	ChkD:
			.XXX= +/-005	DT: 11.07.06.5962.0.E.0
			FRAC.= +/- 1/64	Part Number: 5962AA00
			ANG.= +/-1°	
REV.		DATE	SHEET: 1 OF 1	
			SCALE:	fastpoint