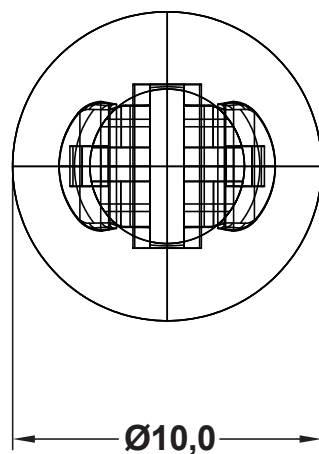
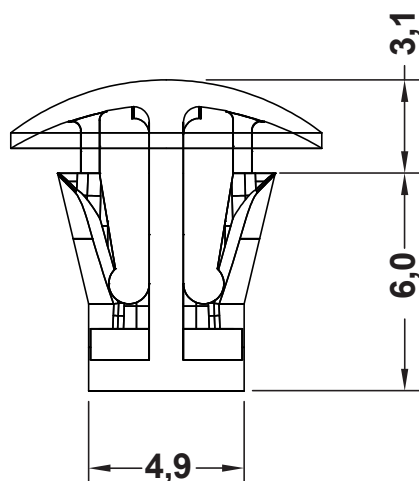


DIM.	TOL.
5mm DOWN	±0.2
5~20mm	±0.3
20~40mm	±0.4
40~60mm	±0.5
60~100mm	±0.8
100mm UP	±1.0

REVISIONS			
REV	DESCRIPTION	DATE	BY



MOUNTING HOLE: Ø5,5
THICKNESS: 1,0 - 1,6



TITLE REVERSE LOCKING P.C.B. SUPPORT		MATERIAL PA 6.6 V2(UL94)		DATE 28/09/2022	
		COLOR NATURAL		DRAWN A.C.	
PART NUMBER 5314AA00		DRAWING NUMBER 22.09.28.5314.0.E		CHECK (blank)	
SIZE A4	SCALE NTS	UNIT mm.	REV A	UNLESS OTHERWISE SPECIFIED TOLERANCE SEE ABOVE	
				APPROVED (blank)	