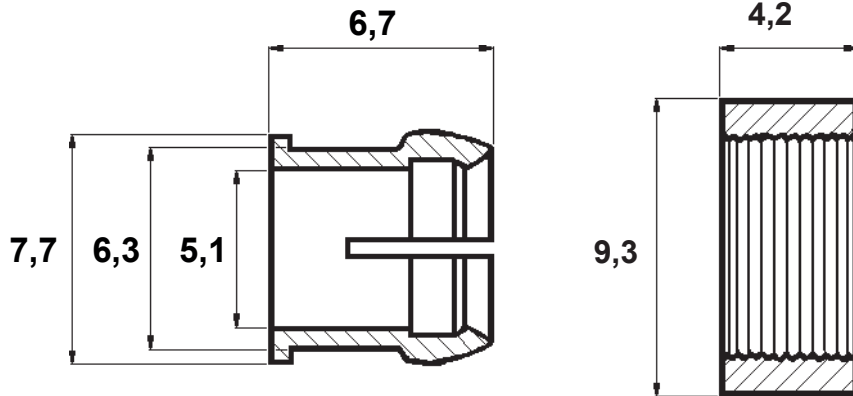



DIM.	TOL.
5mm DOWN	±0.2
5~20mm	±0.3
20~40mm	±0.4
40~60mm	±0.5
60~100mm	±0.8
100mm UP	±1.0

REVISIONS			
REV	DESCRIPTION	DATE	BY



**HOLE MOUNTING
PANEL THICKNESS**

**Ø 3,6
3,0 - 5,0**

				TITLE PUSH-IN LOCK RIVET	
				MATERIAL PA66	DATE 21/09/2022
PART NUMBER 3007AA01				DRAWING NUMBER 22.09.20.XXXX.0.E	
				V2 (UL94)	DRAWN A.C.
SIZE A4				COLOR BLACK	
				UNLESS OTHERWISE SPECIFIED TOLERANCE SEE ABOVE	
SCALE NTS		UNIT mm.	REV A	CHECK APPROVED	