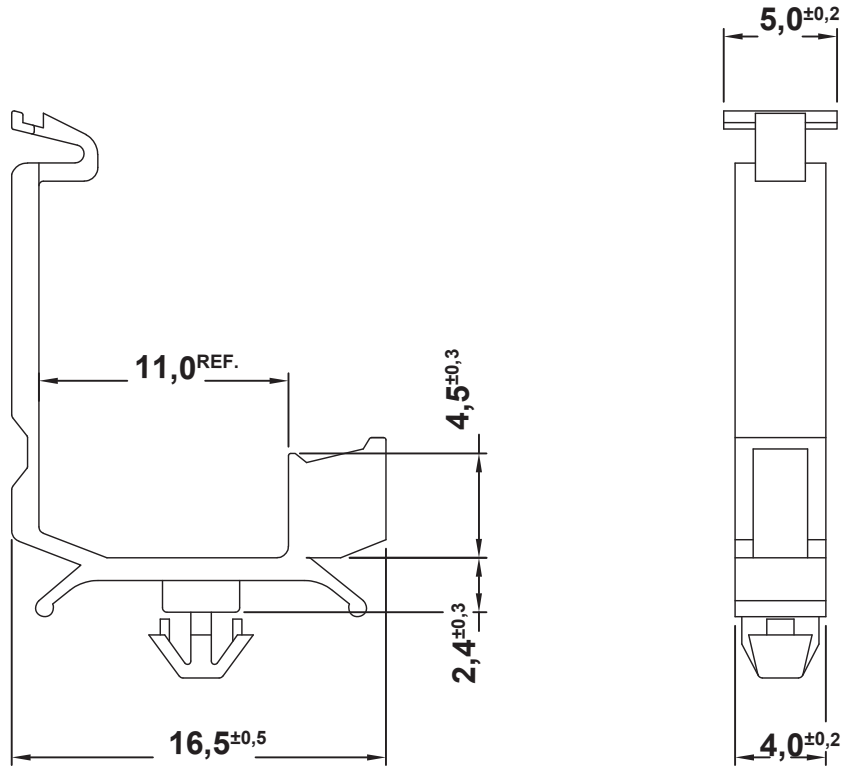



DIM.	TOL
L ≤ 10	±0.2
10 < L ≤ 30	±0.3
30 < L ≤ 50	±0.5
50 < L ≤ 100	±0.7
100 < L ≤ 250	±1.2
ABOVE 250	±1.5

REVISIONS			
REV	DESCRIPTION	DATE	BY



**MOUNTING HOLE: Ø 3,5**  
**PANEL THICKNESS: 0,5-1,8**

				TITLE <b>WIRE SADDLE</b>	
				MATERIAL PA 66	DATE 29/07/2022
<b>18257AA00</b>				<b>UL94V-2</b>	
				DRAWN A.C.	
PART NUMBER		DRAWING NUMBER		COLOR	
<b>18257AA00</b>		<b>22.07.29.18257.x.E</b>		<b>NATURAL</b>	
SIZE A4	SCALE 3:1	UNIT mm.	REV A	UNLESS OTHERWISE SPECIFIED TOLERANCE <b>SEE ABOVE</b>	
				CHECK 	
				APPROVED 	