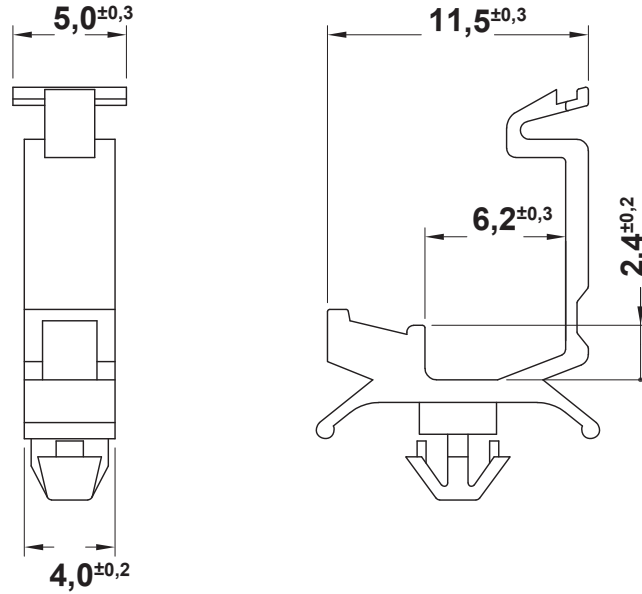



DIM.	TOL
L ≤ 10	±0.2
10 < L ≤ 30	±0.3
30 < L ≤ 50	±0.5
50 < L ≤ 100	±0.7
100 < L ≤ 250	±1.2
ABOVE 250	±1.5

REVISIONS			
REV	DESCRIPTION	DATE	BY



**MOUNTING HOLE: Ø 3,5**  
**PANEL THICKNESS: 0,8-2,2**

				TITLE <b>WIRE SADDLE</b>			
				MATERIAL PA 66		DATE 29/07/2022	
PART NUMBER <b>18256AA00</b>				UL94V-2		DRAWN A.C.	
				DRAWING NUMBER 22.07.29.18256.x.E			
SIZE A4		SCALE 3:1		UNIT mm.		REV A	
UNLESS OTHERWISE SPECIFIED TOLERANCE SEE ABOVE				APPROVED			