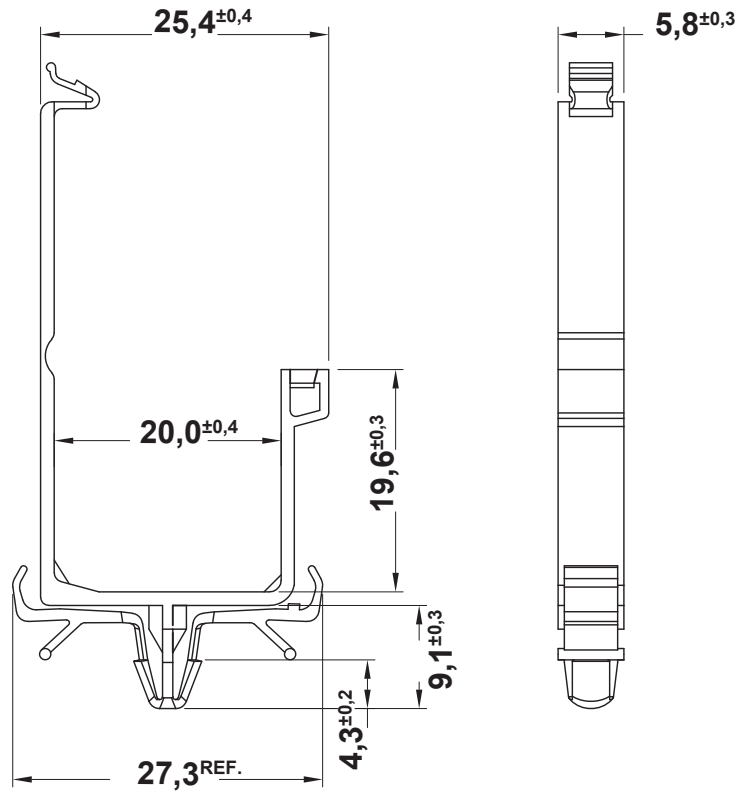



DIM.	TOL
L ≤ 10	±0.2
10 < L ≤ 30	±0.3
30 < L ≤ 50	±0.5
50 < L ≤ 100	±0.7
100 < L ≤ 250	±1.2
ABOVE 250	±1.5

REVISIONS			
REV	DESCRIPTION	DATE	BY



**MOUNTING HOLE: Ø 4,8**  
**PANEL THICKNESS: 0,8-2,3**

<b>18254AA00</b>	UL94V-2
<b>18254AR00</b>	UL94V-0

		TITLE <b>WIRE MOUNT</b>	
		MATERIAL PA 66	DATE 29/07/2022
PART NUMBER <b>SEE TABLE</b>		DRAWN A.C.	
DRAWING NUMBER 22.07.29.18254.x.E		CHECK	
SIZE A4	SCALE 3:2	COLOR NATURAL	APPROVED
UNIT mm.	REV A	UNLESS OTHERWISE SPECIFIED TOLERANCE SEE ABOVE	