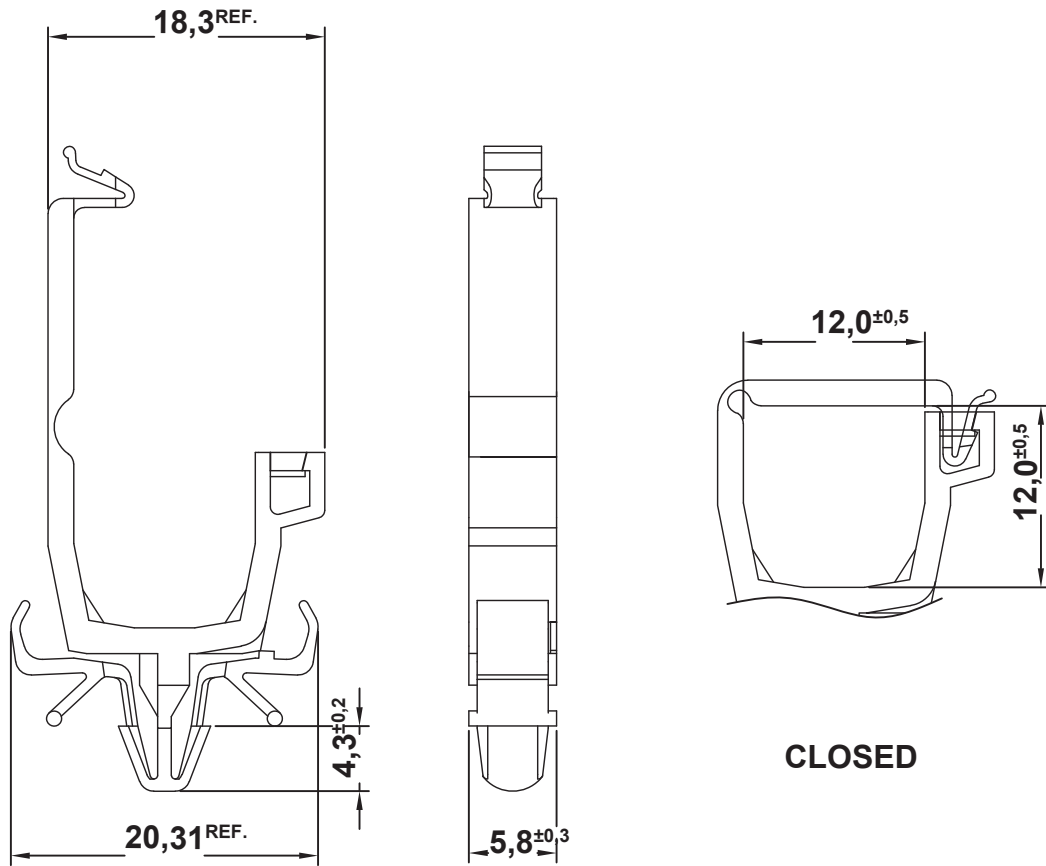



DIM.	TOL
L ≤ 10	±0.2
10 < L ≤ 30	±0.3
30 < L ≤ 50	±0.5
50 < L ≤ 100	±0.7
100 < L ≤ 250	±1.2
ABOVE 250	±1.5

REVISIONS			
REV	DESCRIPTION	DATE	BY



MOUNTING HOLE: Ø 4,8
PANEL THICKNESS: 0,8-2,3

				TITLE WIRE SADDLE	
				MATERIAL PA 66	DATE 29/07/2022
18252AA00				UL94V-2	DRAWN A.C.
				COLOR NATURAL	CHECK
PART NUMBER	DRAWING NUMBER		UNLESS OTHERWISE SPECIFIED TOLERANCE		APPROVED
SIZE A4	SCALE 2:1	UNIT mm.	REV A	SEE ABOVE	