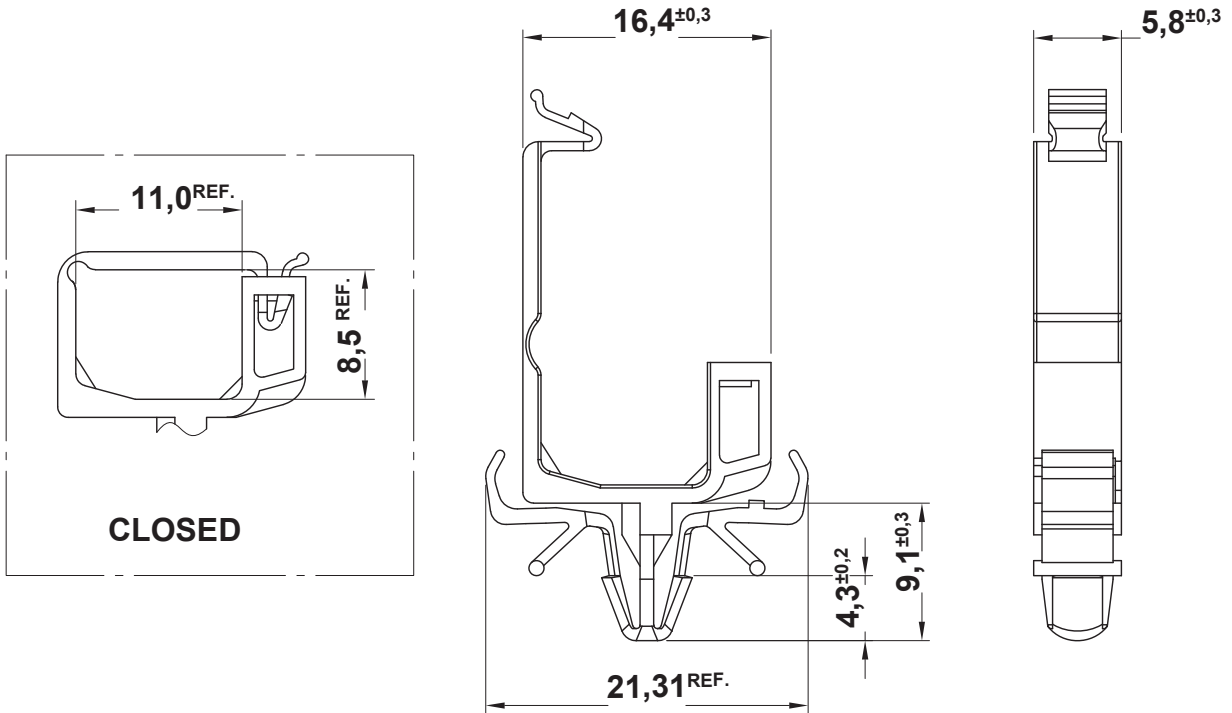



| DIM. | TOL |
|---------------|------|
| L ≤ 10 | ±0.2 |
| 10 < L ≤ 30 | ±0.3 |
| 30 < L ≤ 50 | ±0.5 |
| 50 < L ≤ 100 | ±0.7 |
| 100 < L ≤ 250 | ±1.2 |
| ABOVE 250 | ±1.5 |

| REVISIONS | | | |
|-----------|-------------|------|----|
| REV | DESCRIPTION | DATE | BY |
| | | | |
| | | | |



MOUNTING HOLE: Ø 4,8
PANEL THICKNESS: 0,8-2,3

| | | | | | | | |
|---|--------------|-------------|----------|--|--|--------------------|--|
|  | | | | TITLE WIRE MOUNT | | | |
| | | | | MATERIAL PA 66 | | DATE 29/07/2022 | |
| PART NUMBER 18251AA00 | | | | UL94V-2 | | DRAWN A.C. | |
| | | | | DRAWING NUMBER 22.07.29.18251.x.E | | | |
| SIZE A4 | SCALE 2:1 | UNIT mm. | REV A | UNLESS OTHERWISE SPECIFIED TOLERANCE SEE ABOVE | | APPROVED | |