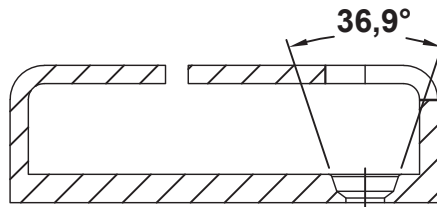
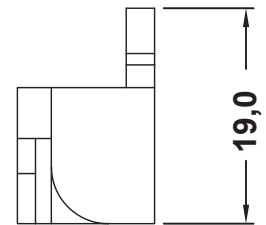
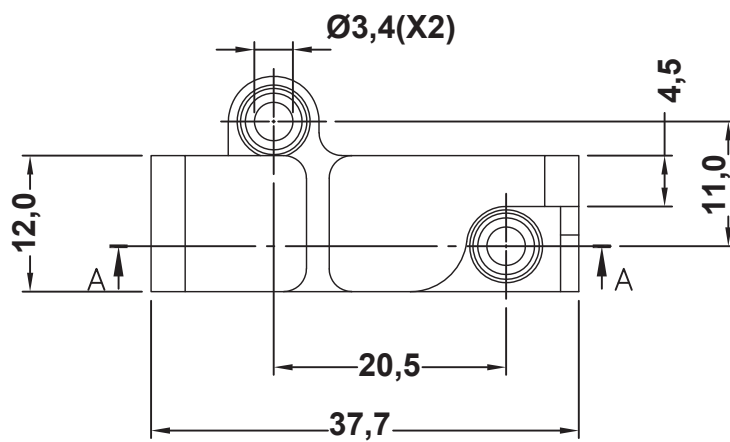
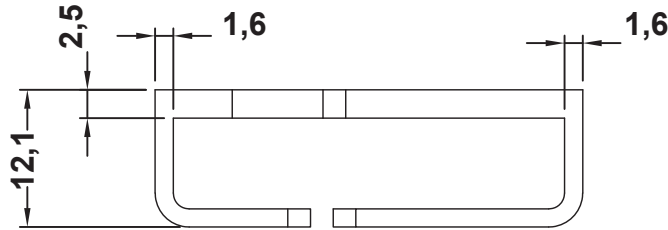



DIM.	TOL
L ≤ 10	±0.2
10 < L ≤ 30	±0.3
30 < L ≤ 50	±0.5
50 < L ≤ 100	±0.7
100 < L ≤ 250	±1.2
ABOVE 250	±1.5

REVISIONS			
REV	DESCRIPTION	DATE	BY



SECTION A-A

				TITLE CABLE CLAMP			
				MATERIAL PA 66		DATE 28/07/2022	
PART NUMBER 18244AA00				UL94V-2		DRAWN A.C.	
				DRAWING NUMBER 22.07.28.18244x.E			
SIZE A4	SCALE 3:2	UNIT mm.	REV A	UNLESS OTHERWISE SPECIFIED TOLERANCE SEE ABOVE		APPROVED	