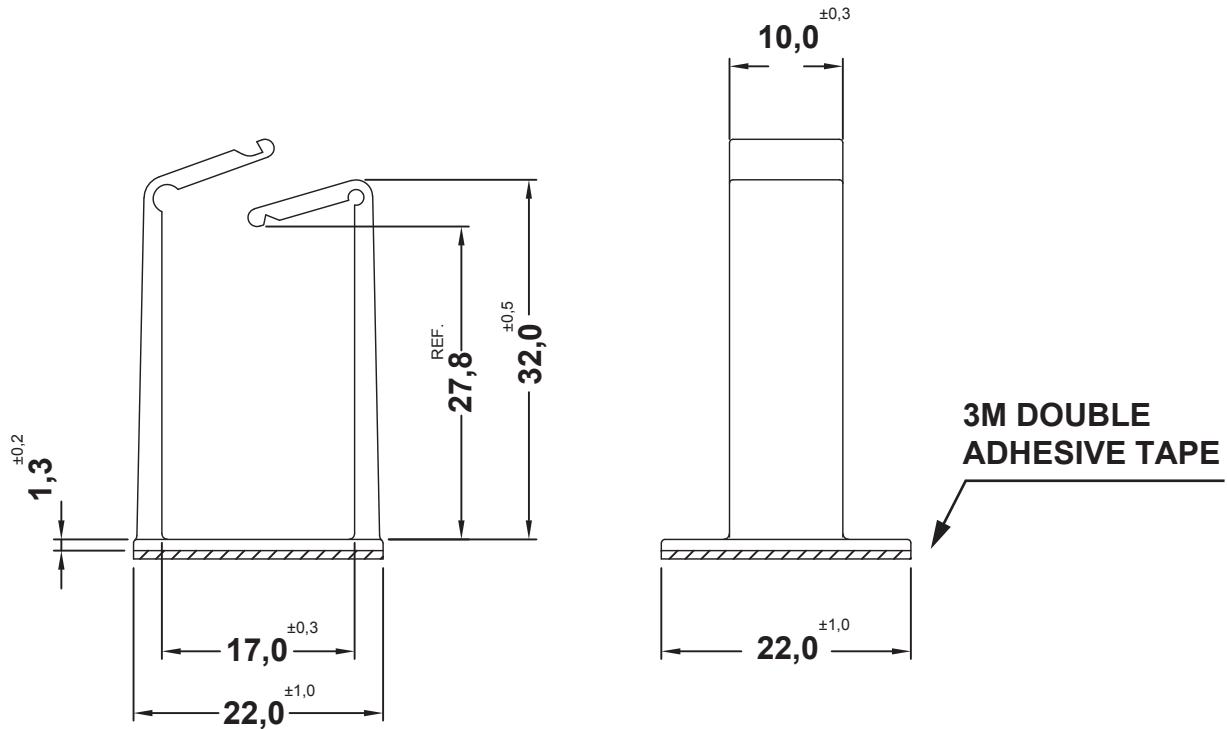


DIM.	TOL
L ≤ 10	±0.2
10 < L ≤ 30	±0.3
30 < L ≤ 50	±0.5
50 < L ≤ 100	±0.7
100 < L ≤ 250	±1.2
ABOVE 250	±1.5

REVISIONS			
REV	DESCRIPTION	DATE	BY



<b>TITLE</b> <b>WIRE SADDLE</b>		<b>MATERIAL</b> PA 66		<b>DATE</b> 28/07/2022	
		UL94V-2		<b>DRAWN</b> A.C.	
<b>PART NUMBER</b> 18236AA00AS		<b>DRAWING NUMBER</b> 22.07.28.18236X.E		<b>COLOR</b> NATURAL	<b>CHECK</b>
<b>SIZE</b> A4	<b>SCALE</b> 3:2	<b>UNIT</b> mm.	<b>REV</b> A	<b>UNLESS OTHERWISE SPECIFIED TOLERANCE</b> SEE ABOVE	
				<b>APPROVED</b>	