

Dimensions	Tolerance
L≤10	±0.2
10<L≤30	±0.3
30<L≤50	±0.5
50<L≤100	±0.7
100<L≤250	±1.2
ABOVE 250	±1.5

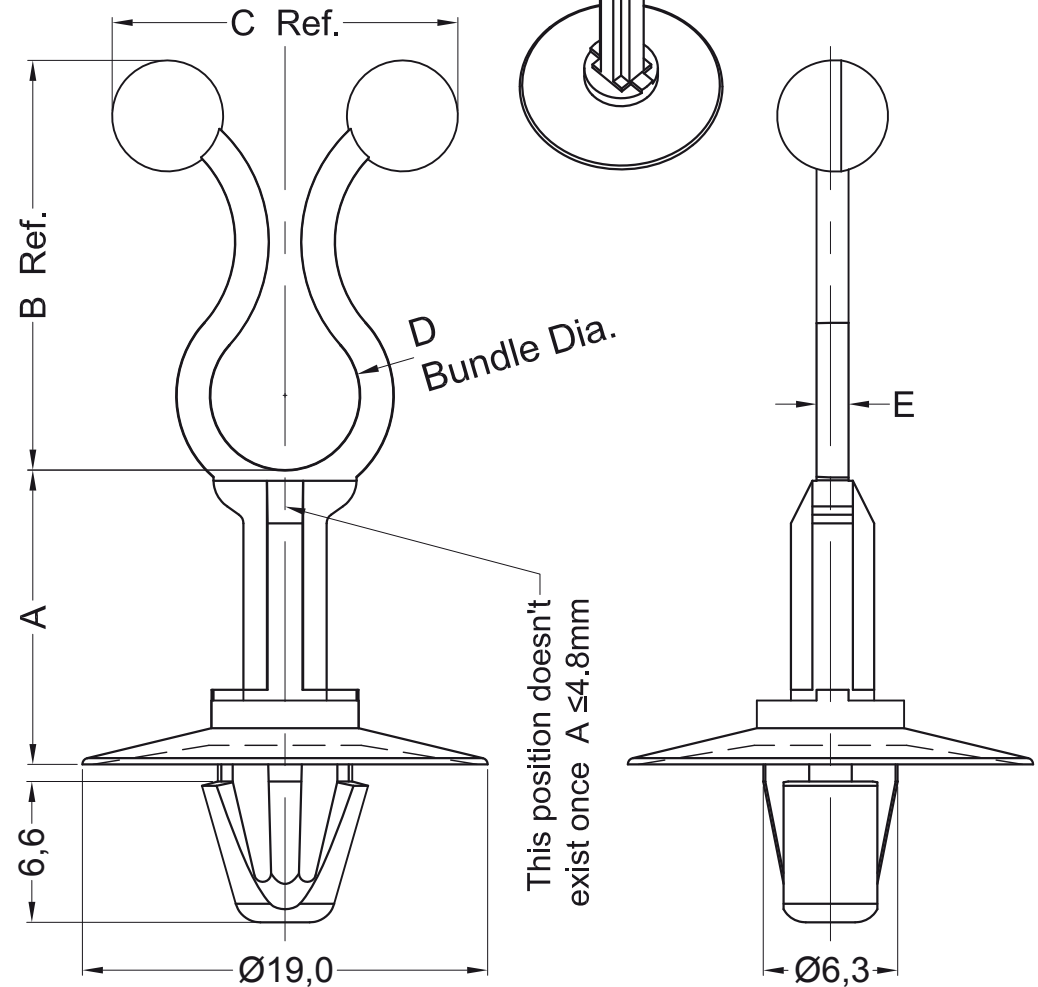
P/N	A	B	C	E	D Bundle Di
18208AA0004.0	4.0	19,1	16,0	1,5	5,1-7,6
18208AA0004.8	4.8				
18208AA0006.0	6.0				
18208AA0008.0	8.0				
18208AA0010.0	10.0				
18208AA0012.0	12.0				
18208AA0012.7	12.7				
18208AA0019.1	19.1				
18208AA0025.4	25.4	36,8	23,5	1,8	17,8-20,3
18208AA0031.8	31.8				
18209AA0004.0	4.0				
18209AA0004.8	4.8				
18209AA0006.0	6.0				
18209AA0008.0	8.0				
18209AA0010.0	10.0				
18209AA0012.0	12.0				
18209AA0012.7	12.7				
18209AA0019.1	19.1				
18209AA0025.4	25.4				
18209AA0031.8	31.8				

NOTES:

RoHS Compliant

Mounting Hole: Ø 6,5±0,08

Panel Thickness: 0,8 - 1,6



REV.	DESCRIPTION	DATE	TITLE: CABLE TWIST LOOK PUSH MOUNT	FILE: 26/07/22	DwN:	DT: 22.07.26.1820X.E.01	Part Number: See table
	MATERIAL: PA 66 (UL) 94 V-2		TOLLERANCES UNLESS NOTED	SHEET: 1 OF 1			ChkD:
	COLOUR: NATURAL		.XX= +/-010	SCALE:			
			.XXX= +/-005	NTS			
			FRAC.=+/- 1/64				
			ANG.=+/-1°				

