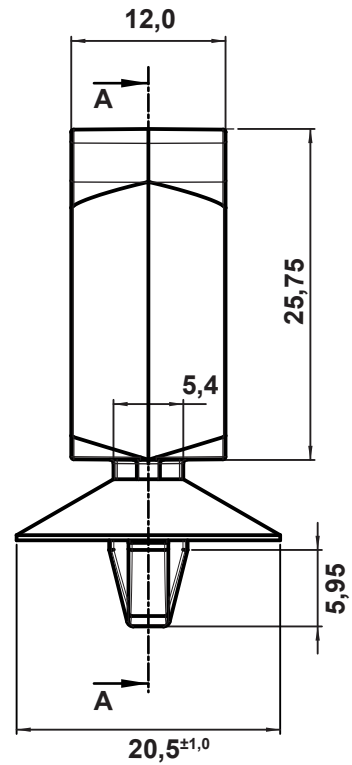
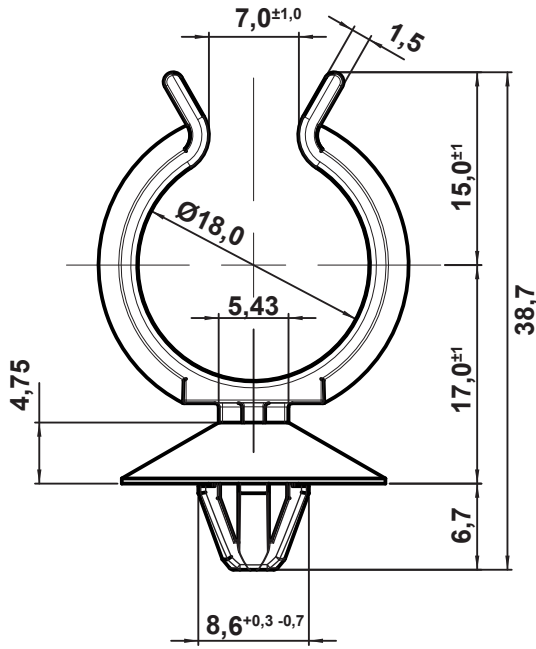
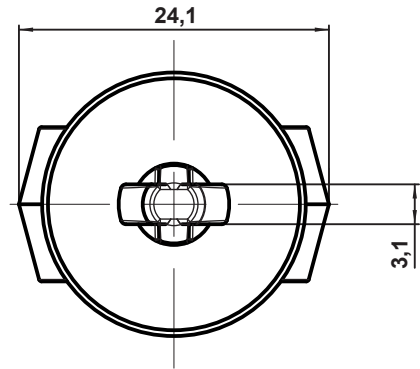
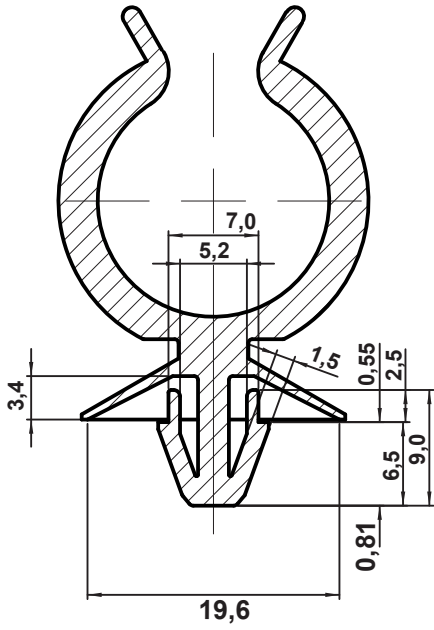


REVISIONS			
REV	DESCRIPTION	DATE	BY



TUBE Ø 18,0
MOUNTING HOLE: Ø 6,5±0,2
PANEL THICKNESS: 1,2-1,6

P/N	MATERIAL	COLOR
18175AR117001	PA 66 UL94V-0	RAL 7001
18175AA01	PA 6 UL94V-2	BLACK



TITLE SUPPORT TUBE PIPE CLIP			
MATERIAL SEE TABLE		DATE 3/8/2022	
COLOR SEE TABLE		DRAWN A.C.	
PART NUMBER SEE TABLE		CHECK	
DRAWING NUMBER 22.8.3.18175.x.E		APPROVED	
SIZE A4	SCALE NTS	UNIT mm.	REV A
UNLESS OTHERWISE SPECIFIED TOLERANCE SEE ABOVE			