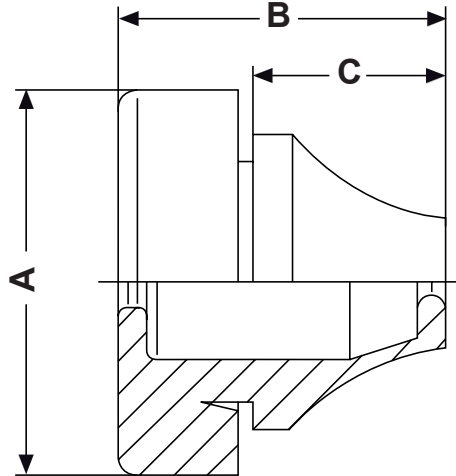



| DIM.     | TOL. |
|----------|------|
| 5mm DOWN | ±0.2 |
| 5~20mm   | ±0.3 |
| 20~40mm  | ±0.4 |
| 40~60mm  | ±0.5 |
| 60~100mm | ±0.8 |
| 100mm UP | ±1.0 |

| REVISIONS |             |      |    |
|-----------|-------------|------|----|
| REV       | DESCRIPTION | DATE | BY |
|           |             |      |    |
|           |             |      |    |



| P/N          | SIZE | CABLE Ø     | HOLE | THICKNESS | A    | B    | C    |
|--------------|------|-------------|------|-----------|------|------|------|
| 9030GS117001 | M16  | 5,0 - 9,0   | 16,5 | 1,0 - 4,0 | 21,0 | 18,0 | 11,0 |
| 9031GS117001 | M20  | 8,0 - 12,0  | 20,5 | 1,0 - 4,0 | 25,5 | 20,0 | 13,4 |
| 9022GS117001 | M25  | 11,0 - 16,0 | 25,5 | 1,0 - 4,0 | 30,5 | 21,6 | 15,3 |

**NOTE: Protection grade IP67 according to EN 60529 SEMKO conformity**

|   |              |                                     |          |   |  |                    |  |
|---|--------------|-------------------------------------|----------|---|--|--------------------|--|
|  |              |                                     |          | TITLE<br><b>METRIC SNAP-FIT PROTECTION GROMMET IP67</b> |  |                    |  |
|   |              |                                     |          | MATERIAL<br>EPDM  |  | DATE<br>14/05/2022 |  |
| PART NUMBER<br>SEE TABLE  |              | DRAWING NUMBER<br>22.07.14.90XX.0.E |          | COLOR<br>RAL 7001                                       |  | CHECK              |  |
| SIZE<br>A4  | SCALE<br>NTS | UNIT<br>mm.                         | REV<br>A | UNLESS OTHERWISE SPECIFIED<br>TOLERANCE<br>SEE ABOVE    |  | APPROVED           |  |