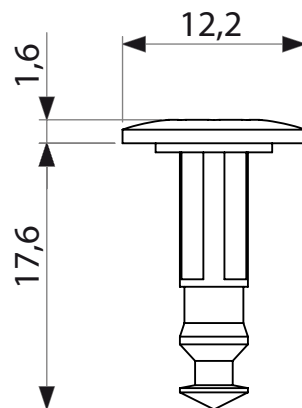
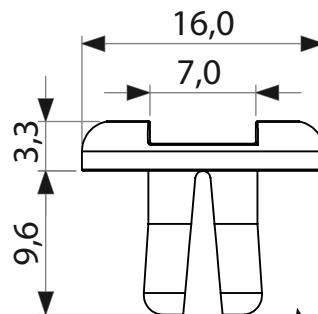


4731AB02
PIN



4732AA02
RETAINER



PANEL Ø 7,5 - 8,0
THICKNESS 3,0 ~ 6.5

	DESCRIPTION		TITLE: REUSABLE RIVET		DWG UNIT: MM
MATERIAL:	PIN: PA6 GF 30%/RETAINER:PA66 V2(Ul 94)		Modelled in RHINO 4.0	FILE:	DwN: 11/07/08
COLOUR:	WHITE		TOLLERANCES UNLESS NOTED	SHEET: 1 OF 1	ChkD:
NOTE:	PIN AND RETAINER ARE SUPPLIED UNASSEMBLED		.XX= +/-010	SCALE:	Part Number: 4731AB02+4732AA02
			.XXX= +/-005	NTS	
			FRAC.=+/- 1/64		
			ANG.=+/-1°		
REV.		DATE			