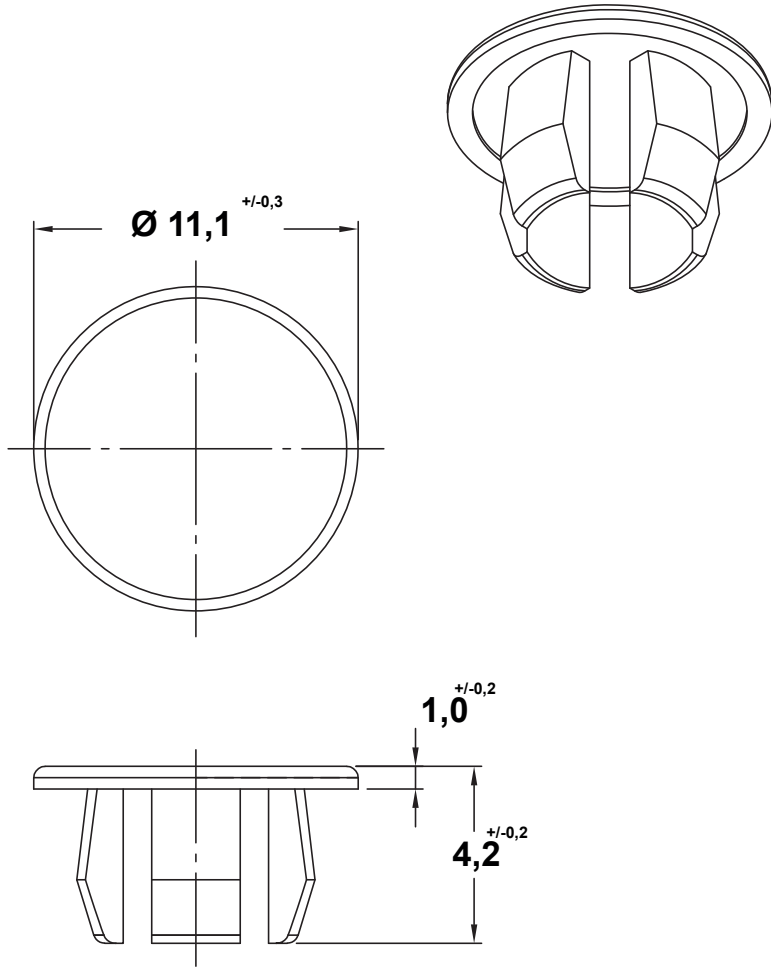



REVISIONS			
REV	DESCRIPTION	DATE	BY



MOUNTING HOLES Ø 6,35
PANEL THICKNESS 0,79 - 1,58

				TITLE HOLE PLUGS	
				MATERIAL PA66 V2(UL94)	DATE 17/12/2021
PART NUMBER 15955AA01				DRAWN A.C.	
				CHECK	
DRAWING NUMBER 21.12.17.15955.0.E		COLOR BLACK		APPROVED	
SIZE A4	SCALE 3:1	UNIT mm.	REV A	UNLESS OTHERWISE SPECIFIED TOLERANCE SEE ABOVE	