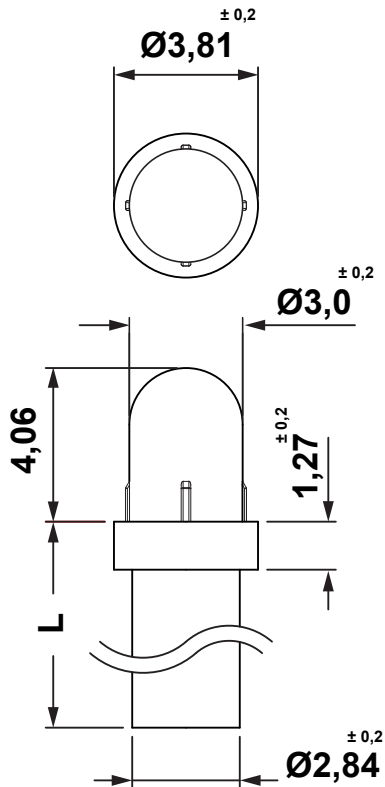


DIM.	TOL.
5mm DOWN	±0.2
5~20mm	±0.3
20~40mm	±0.4
40~60mm	±0.5
60~100mm	±0.8
100mm UP	±1.0

REVISIONS			
REV	DESCRIPTION	DATE	BY



P/N	L
17963NV00	3,2
17964NV00	6,0
17965NV00	6,4
17966NV00	8,9
17967NV00	9,5
17968NV00	11,7
17969NV00	12,7
17970NV00	15,9
17971NV00	19,0
17972NV00	21,0

				TITLE LIGHT PIPE	
				MATERIAL PC UL94V-0	DATE 06/06/2022
PART NUMBER SEE TABLE				DRAWING NUMBER 22.06.06.179XX.0.E	
				COLOR TRANSPARENT	CHECK
SIZE A4	SCALE NTS	UNIT mm.	REV A	UNLESS OTHERWISE SPECIFIED TOLERANCE SEE ABOVE	APPROVED