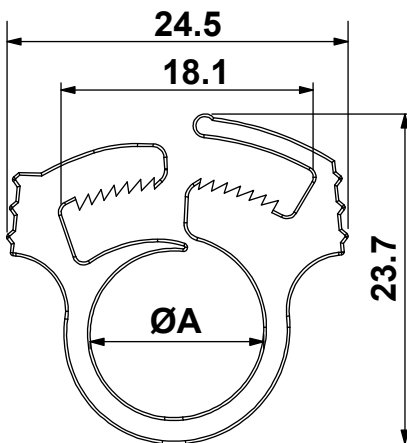
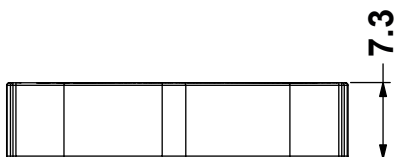



Dimensions	Tolerance
5mm DOWN	±0.2
5~20mm	±0.3
20~40mm	±0.4
40~60mm	±0.5
60~100mm	±0.8
100mm UP	±1.0

REVISIONS			
REV	DESCRIPTION	DATE	BY



**ØA: 29,0 - 34,0**

				TITLE <b>RELEASABLE WIRE AND PIPE CLIPS</b>	
				MATERIAL POM HB(UL94)	DATE 30/05/2022
PART NUMBER <b>14861GA00</b>				DRAWN A.C.	
				COLOR NATURAL	
DRAWING NUMBER 22.05.30.14861.0.E		UNLESS OTHERWISE SPECIFIED TOLERANCE		APPROVED	
SIZE A4	SCALE NTS	UNIT mm.	REV A		