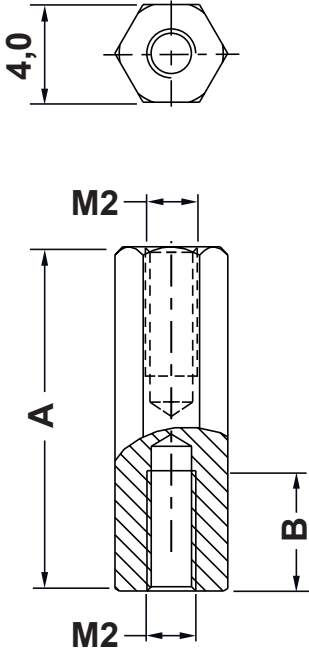


REVISIONS			
REV	DESCRIPTION	DATE	BY

P/N	A	B
10837MA9205.0	5.0	through
10837MA9208.0	8.0	through
10837MA9210.0	10.0	through
10837MA9212.0	12.0	6.0
10837MA9215.0	15.0	6.0
10837MA9218.0	18.0	6.0
10837MA9220.0	20.0	6.0
10837MA9225.0	25.0	6.0
10837MA9230.0	30.0	6.0
10837MA9235.0	35.0	6.0
10837MA9240.0	40.0	6.0



	DESCRIPTION		TITLE: SPACER I/I BRASS	DWG UNIT: MM
	MATERIAL: BRASS DMS100		Modelled in RHINO 4.0	FILE:
	SURFACE: NICKEL PLATED G3E		TOLLERANCES UNLESS NOTED	SHEET: 1 OF 1
			SEE ABOVE	SCALE: NTS
REV.		DATE		

