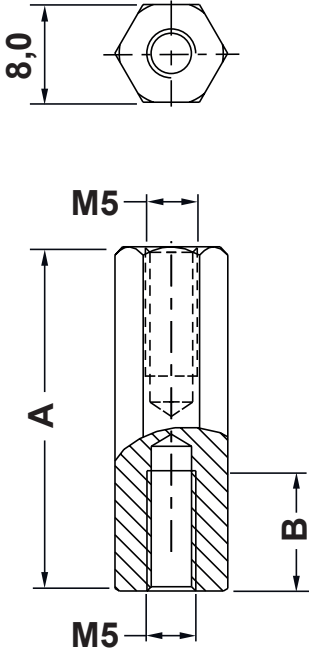


REVISIONS			
REV	DESCRIPTION	DATE	BY

P/N	A	B
10835MA9208.0	8.0	through
10835MA9210.0	10.0	through
10835MA9212.0	12.0	through
10835MA9215.0	15.0	through
10835MA9218.0	18.0	through
10835MA9220.0	20.0	through
10835MA9225.0	25.0	10.0
10835MA9230.0	30.0	10.0
10835MA9235.0	35.0	10.0
10835MA9240.0	40.0	10.0
10835MA9245.0	45.0	10.0
10835MA9250.0	50.0	10.0



	DESCRIPTION		TITLE: SPACER I/I BRASS	DWG UNIT: MM
	MATERIAL: BRASS DMS100		Modelled in RHINO 4.0	FILE:
	SURFACE: NICKEL PLATED G3E		TOLLERANCES UNLESS NOTED	SHEET: 1 OF 1
			SEE ABOVE	SCALE: NTS
REV.		DATE		

