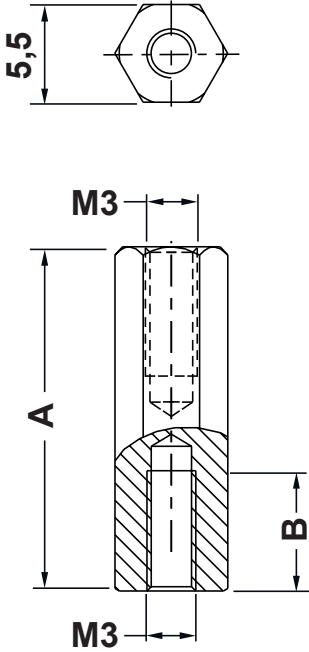


REVISIONS			
REV	DESCRIPTION	DATE	BY

P/N	A	B
10833MA9205.0	5.0	through
10833MA9206.0	6.0	through
10833MA9207.0	7.0	through
10833MA9208.0	8.0	through
10833MA9209.0	9.0	through
10833MA9210.0	10.0	through
10833MA9211.0	11.0	through
10833MA9212.0	12.0	through
10833MA9213.0	13.0	through
10833MA9214.0	14.0	through
10833MA9215.0	15.0	through
10833MA9216.0	16.0	8.0
10833MA9217.0	17.0	8.0

P/N	A	B
10833MA9218.0	18.0	8.0
10833MA9219.0	19.0	8.0
10833MA9220.0	20.0	8.0
10833MA9221.0	21.0	10.0
10833MA9222.0	22.0	10.0
10833MA9223.0	23.0	10.0
10833MA9224.0	24.0	10.0
10833MA9225.0	25.0	10.0
10833MA9226.0	26.0	10.0
10833MA9227.0	27.0	10.0
10833MA9228.0	28.0	10.0
10833MA9229.0	29.0	10.0
10833MA9230.0	30.0	10.0



	DESCRIPTION	TITLE: SPACER I/I BRASS	DWG UNIT: MM
MATERIAL:	BRASS DMS100	Modelled in RHINO 4.0	FILE:
SURFACE:	NICKEL PLATED G3E	TOLLERANCES UNLESS NOTED	SHEET: 1 OF 1
		SEE ABOVE	SCALE: NTS
REV.	DATE		

DwN: 19/05/22  
 DT: 22.05.19.10833.0.E  
 ChkD:  
 Part Number: SEE TABLE