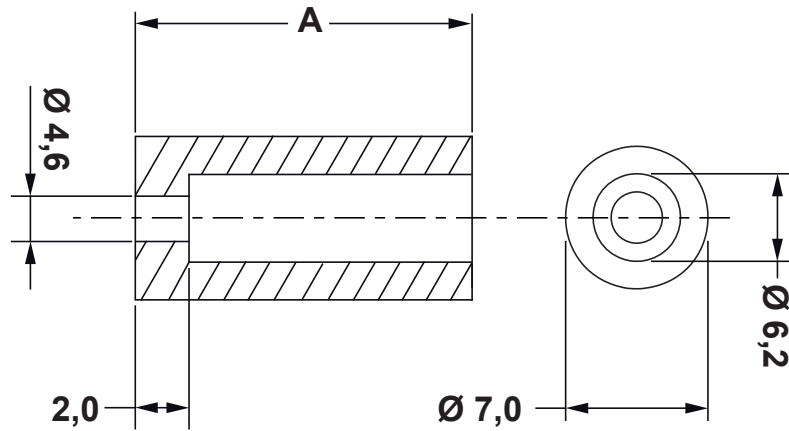


Dimensions	Tolerance
5mm DOWN	±0.2
5~20mm	±0.3
20~40mm	±0.4
40~60mm	±0.5
60~100mm	±0.8
100mm UP	±1.0


REVISIONS			
REV	DESCRIPTION	DATE	BY



P/N	A
10079BB0102.0	2.0
10079BB0103.0	3.0
10079BB0104.0	4.0
10079BB0105.0	5.0
10079BB0106.0	6.0
10079BB0107.0	7.0
10079BB0108.0	8.0
10079BB0109.0	9.0
10079BB0110.0	10.0
10079BB0111.0	11.0
10079BB0112.0	12.0
10079BB0113.0	13.0
10079BB0114.0	14.0
10079BB0115.0	15.0
10079BB0116.0	16.0
10079BB0117.0	17.0
10079BB0118.0	18.0
10079BB0119.0	19.0
10079BB0120.0	20.0
10079BB0121.0	21.0

P/N	A
10079BB0122.0	22.0
10079BB0123.0	23.0
10079BB0124.0	24.0
10079BB0125.0	25.0
10079BB0126.0	26.0
10079BB0127.0	27.0
10079BB0128.0	28.0
10079BB0129.0	29.0
10079BB0130.0	30.0
10079BB0131.0	31.0
10079BB0132.0	32.0
10079BB0133.0	33.0
10079BB0134.0	34.0
10079BB0135.0	35.0
10079BB0136.0	36.0
10079BB0137.0	37.0
10079BB0138.0	38.0
10079BB0139.0	39.0
10079BB0140.0	40.0
10079BB0141.0	41.0

P/N	A
10079BB0142.0	42.0
10079BB0143.0	43.0
10079BB0144.0	44.0
10079BB0145.0	45.0
10079BB0146.0	46.0
10079BB0147.0	47.0
10079BB0148.0	48.0
10079BB0149.0	49.0
10079BB0150.0	50.0
10079BB0151.0	51.0
10079BB0152.0	52.0
10079BB0153.0	53.0
10079BB0154.0	54.0
10079BB0155.0	55.0
10079BB0156.0	56.0
10079BB0157.0	57.0
10079BB0158.0	58.0
10079BB0159.0	59.0
10079BB0160.0	60.0

				TITLE <b>ROUND SPACERS</b>	
				MATERIAL PA 6 25%GV	
PART NUMBER SEE TABLE				DRAWN R.F.	
				DRAWING NUMBER 20.10.29.10079.0.E	
SIZE A4		SCALE NTS		COLOR BLACK	
UNIT mm.		REV A		UNLESS OTHERWISE SPECIFIED TOLERANCE SEE ABOVE	
				APPROVED	