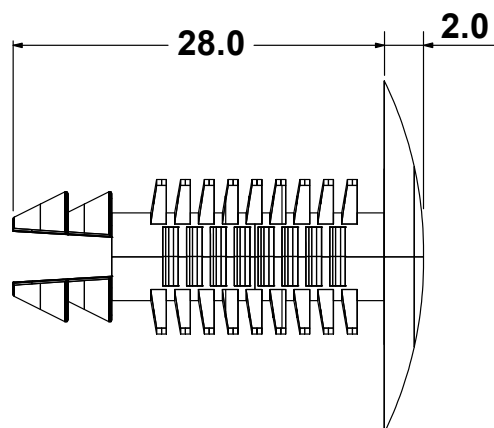
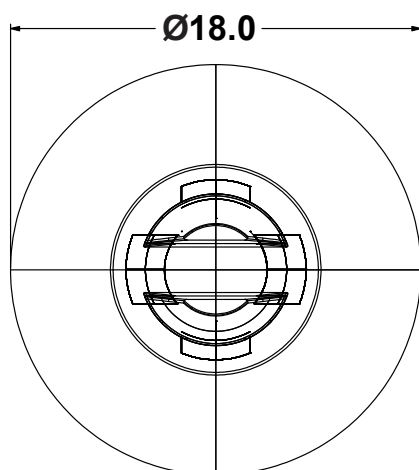
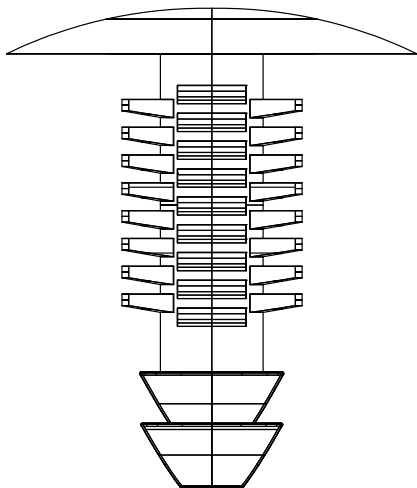


DIM.	TOL.
5mm DOWN	±0.2
5~20mm	±0.3
20~40mm	±0.4
40~60mm	±0.5
60~100mm	±0.8
100mm UP	±1.0

REVISIONS			
REV	DESCRIPTION	DATE	BY



MOUNTING HOLE: Ø 6,9
THICKNESS: 1,0 - 20,0



TITLE
TOOTHED CLIPS

MATERIAL
 PA 6.6 V2(UL94)

DATE
 17/05/2022

DRAWN
 A.C.

COLOR
 BLACK

CHECK

UNLESS OTHERWISE SPECIFIED
 TOLERANCE
 SEE ABOVE

APPROVED

PART NUMBER
 0271AA01

DRAWING NUMBER
 22.05.17.0271.0.E

SIZE
 A4

SCALE
 NTS

UNIT
 mm.

REV
 A