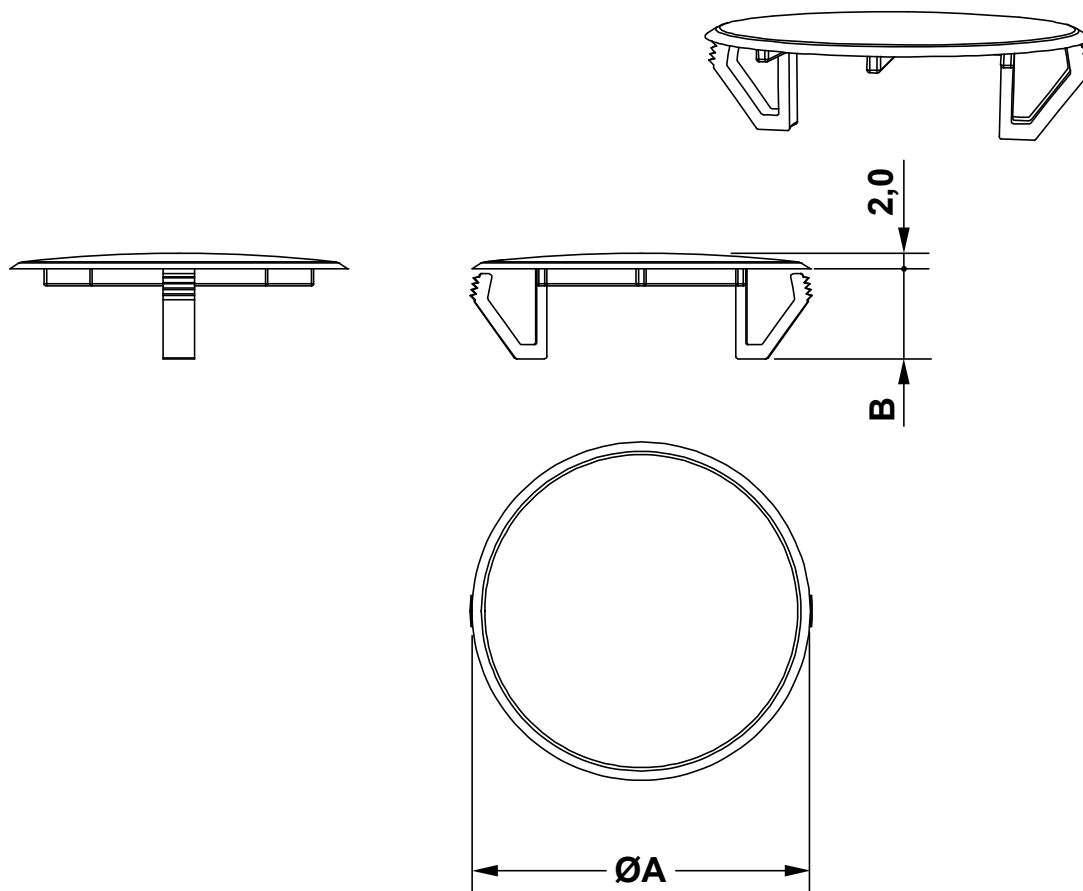



DIM.	TOL.
5mm DOWN	±0.2
5~20mm	±0.3
20~40mm	±0.4
40~60mm	±0.5
60~100mm	±0.8
100mm UP	±1.0

REVISIONS			
REV	DESCRIPTION	DATE	BY



P/N	ØA	B	HOLE Ø
16330AA01	16,0	11,2	9,5 - 13,0
15962AA01	18,5	10,5	11,5 - 14,5
15963AA01	21,5	10,0	15,0 - 18,0
15990AA01	25,3	10,7	18,4 - 22,0
25368AA01	32,5	11,7	22,0 - 27,0
16382AA01	35,0	11,5	27,0 - 33,0
25370AA01	43,3	11,1	35,0 - 40,0
25371AA01	52,5	11,7	44,5 - 49,0

PANEL THICKNESS 0,8 - 3,2

				TITLE PLUGS FOR VARIABLE SIZE HOLES	
				MATERIAL PA 66 V2(UL94)	DATE 05/04/2022
PART NUMBER SEE TABLE				DRAWN A.C.	
				DRAWING NUMBER 22.04.05.253XX.0.E	
SIZE A4				COLOR BLACK	
				CHECK	
SCALE NTS				UNLESS OTHERWISE SPECIFIED TOLERANCE SEE ABOVE	
				APPROVED	
UNIT mm.				REV A	