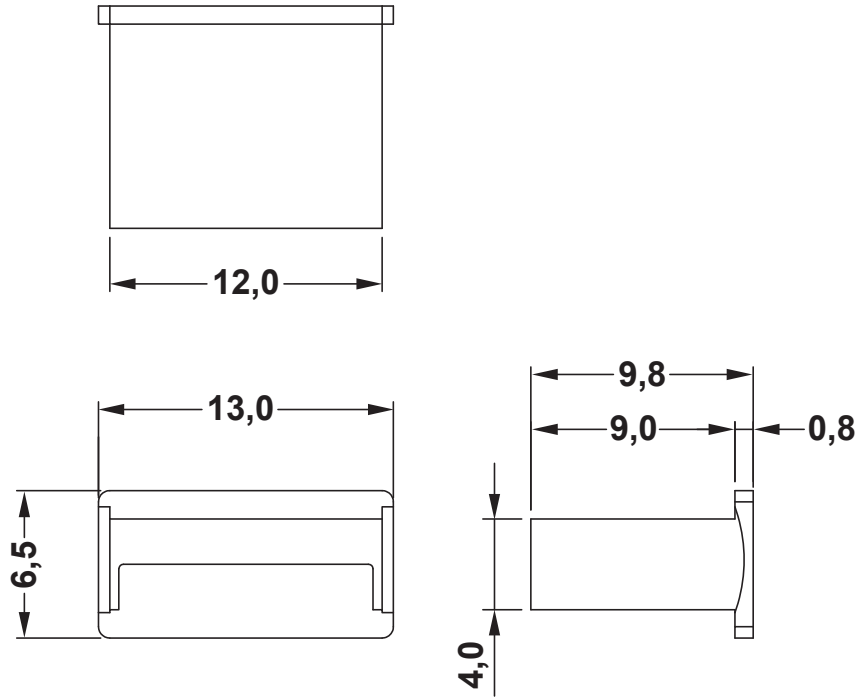



DIM.	TOL
5mm DOWN	±0.2
5~20mm	±0.3
20~40mm	±0.4
40~60mm	±0.5
60~100mm	±0.8
100mm UP	±1.0

REVISIONS			
REV	DESCRIPTION	DATE	BY



				TITLE USB HOUSING	
				MATERIAL PP	DATE 22/11/2017
PART NUMBER 679FA01				DRAWN A.C.	
				DRAWING NUMBER 22.03.10.6793.0.E	
COLOR BLACK				CHECK	
SIZE A4	SCALE 3:1	UNIT mm.	REV A	UNLESS OTHERWISE SPECIFIED TOLERANCE SEE ABOVE	
				APPROVED	