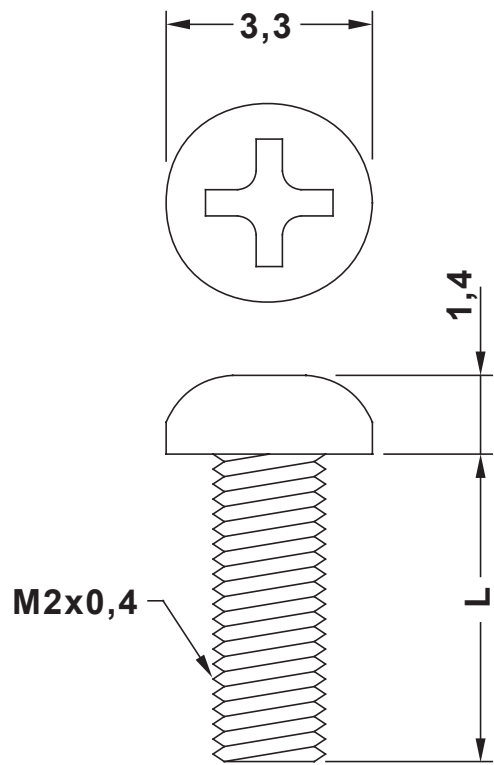



DIM.	TOL.
5mm DOWN	±0.2
5~20mm	±0.3
20~40mm	±0.4
40~60mm	±0.5
60~100mm	±0.8
100mm UP	±1.0

REVISIONS			
REV	DESCRIPTION	DATE	BY



P/N	L
6717AA0003.0	3,0
6717AA0004.0	4,0
6717AA0005.0	5,0
6717AA0006.0	6,0
6717AA0006.5	6,5
6717AA0008.0	8,0
6717AA0010.0	10,0
6717AA0012.0	12,0
6717AA0015.0	15,0

		TITLE CROSS-SLOTTED SCREWS	
		MATERIAL PA66 V2(UL94)	DATE 17/03/2022
PART NUMBER SEE TABLE		DRAWING NUMBER 22.03.17.6717.0.E	
COLOR NATURAL		CHECK A.C.	
SIZE A4	SCALE NTS	UNIT mm.	REV A
UNLESS OTHERWISE SPECIFIED TOLERANCE SEE ABOVE		APPROVED	