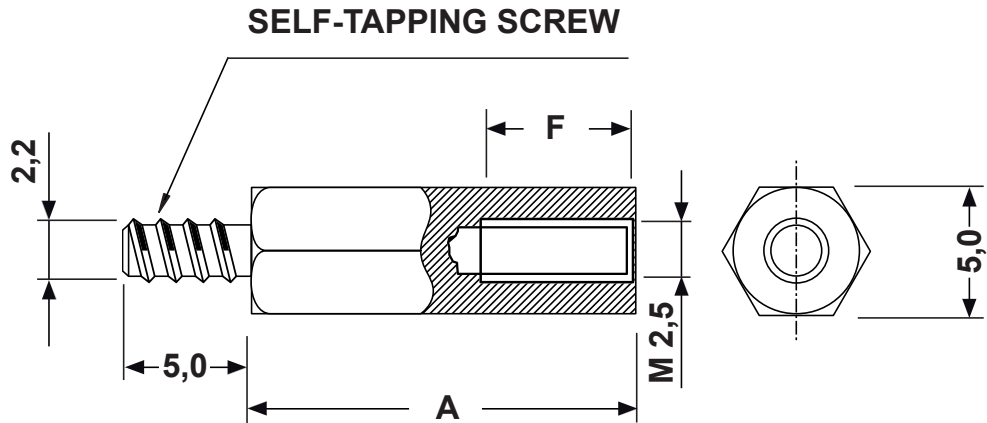


DIM.	TOL
L ≤ 10	±0.2
10 < L ≤ 30	±0.3
30 < L ≤ 50	±0.5
50 < L ≤ 100	±0.7
100 < L ≤ 250	±1.2
ABOVE 250	±1.5

REVISIONS			
REV	DESCRIPTION	DATE	BY

THREAD DEEP	
A	F
5,0	8,0
6,0	10,0
7,0	12,0
10,0	15,0
10,0	20,0



P/N	A
5938MA9208.0	08.0
5938MA9210.0	10.0
5938MA9212.0	12.0
5938MA9215.0	15.0
5938MA9220.0	20.0
5938MA9240.0	40.0



TITLE **SELF-TAPPING SPACERS**

MATERIAL **NICKEL-PLATED BRASS** DATE **21/03/2022**

COLOR DRAWN **A.C.**

PART NUMBER **SEE TABLE** DRAWING NUMBER **22.03.21.5938.0.E**

CHECK

SIZE **A4** SCALE **NTS** UNIT **mm.** REV **A**

UNLESS OTHERWISE SPECIFIED TOLERANCE **SEE ABOVE** APPROVED