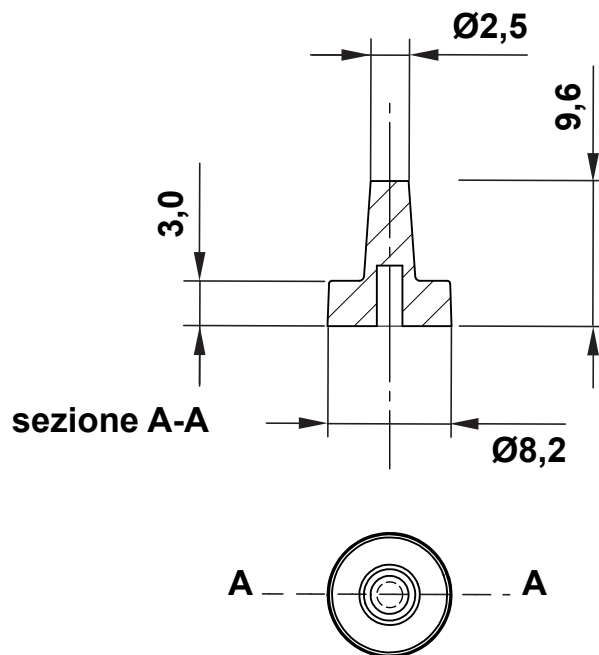


DIM.	TOL.
5mm DOWN	±0.2
5~20mm	±0.3
20~40mm	±0.4
40~60mm	±0.5
60~100mm	±0.8
100mm UP	±1.0

REVISIONS			
REV	DESCRIPTION	DATE	BY



TITLE <b>PVC FOOT</b>		DATE 31/03/2022	
MATERIAL PVC 75+/- 5 SHORE A		DRAWN A.C.	
COLOR BLACK		CHECK	
UNLESS OTHERWISE SPECIFIED TOLERANCE SEE ABOVE		APPROVED	

PART NUMBER 15981CA01		DRAWING NUMBER 22.03.31.15981.0.E	
SIZE A4	SCALE 5:1	UNIT mm.	REV A