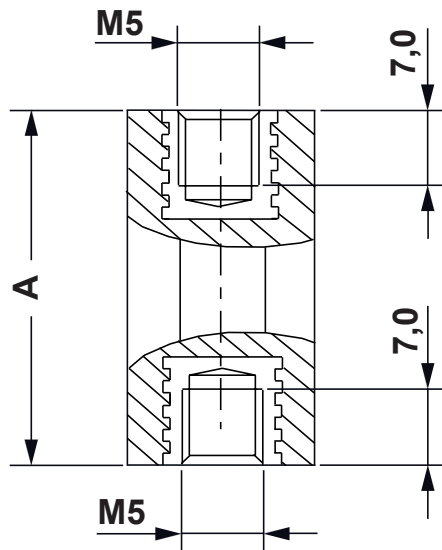
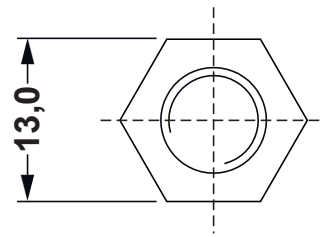


REVISIONS			
REV	DESCRIPTION	DATE	BY



P/N	A
10489DA1120.0	20.0
10489DA1125.0	25.0
10489DA1130.0	30.0
10489DA1140.0	40.0
10489DA1145.0	45.0
10489DA1150.0	50.0

DIELECTRIC STRENGTH 50KV



TITLE INSULATING POLYSTYROL & STEEL P.C.B SPACERS		MATERIAL BODY POLYSTYROL		DATE 24/03/2022	
		MATERIAL THREAD INSERT ZINC PLATED		DRAWN A.C.	
		COLOR GREY		CHECK	
		UNLESS OTHERWISE SPECIFIED TOLERANCE SEE ABOVE		APPROVED	
PART NUMBER SEE TABLE		DRAWING NUMBER 22.03.24.10489.0.E			
SIZE A4	SCALE NTS	UNIT mm.	REV A		