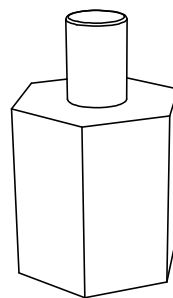
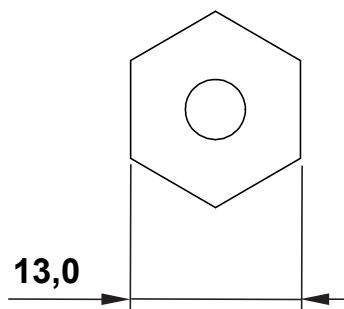
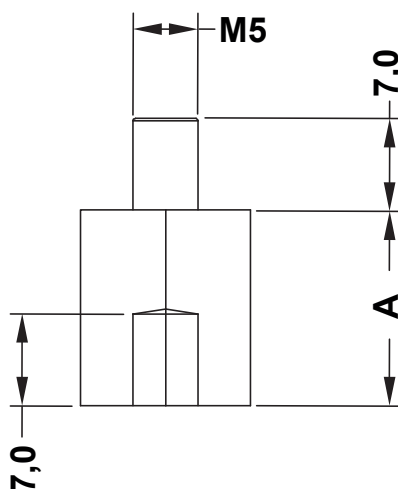


Dimensions	Tolerance
5mm DOWN	±0.2
5~20mm	±0.3
20~40mm	±0.4
40~60mm	±0.5
60~100mm	±0.8
100mm UP	±1.0


REVISIONS			
REV	DESCRIPTION	DATE	BY



P/N	A
10487DA1115.0	15.0
10487DA1120.0	20.0
10487DA1125.0	25.0
10487DA1130.0	30.0
10487DA1140.0	40.0
10487DA1145.0	45.0
10487DA1150.0	50.0



**Material:** Polystyrol  
**Thread insert:** Steel zinc plated  
**Flammability:** HB (UL 94)  
**Working temperature:** -15°C ~ + 90°C  
**Dielectric strength:** 50kV

				<b>TITLE</b> INSULATING POLYSTYROL AND STEEL P.C.B. SPACERS	
				<b>MATERIAL</b> SEE ABOVE	
<b>PART NUMBER</b> SEE TABLE				<b>DRAWING NUMBER</b> 22.03.22.10487.0.E	
				<b>COLOR</b> GREY	
<b>SIZE</b> A4		<b>SCALE</b> NTS		<b>UNLESS OTHERWISE SPECIFIED TOLERANCE</b> SEE ABOVE	
<b>UNIT</b> mm.		<b>REV</b> A		<b>APPROVED</b>	