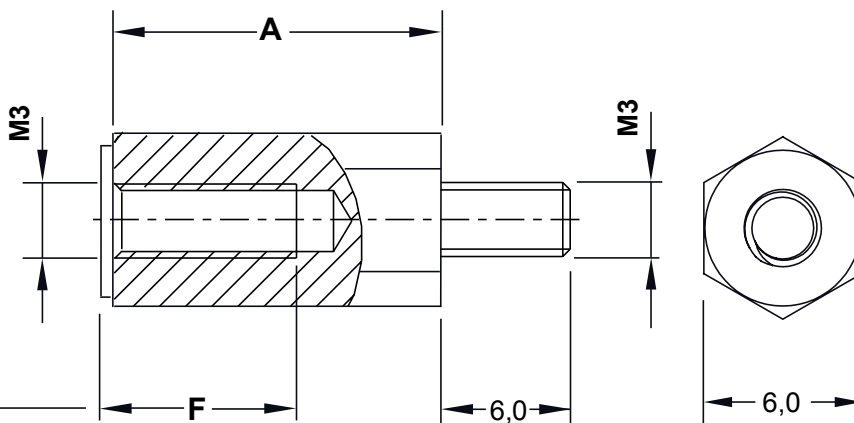


DIM.	TOL.
5mm DOWN	±0.2
5~20mm	±0.3
20~40mm	±0.4
40~60mm	±0.5
60~100mm	±0.8
100mm UP	±1.0

REVISIONS			
REV	DESCRIPTION	DATE	BY



THREAD DEEP	
A	F
5,0	3,0
6,0	4,0
7,0	5,0
8,0	6,0
9,0	7,0
10,0	8,0
11,0	9,0
12,0 - 61,0	10,0



P/N	A
10016AA0105.0	5.0
10016AA0106.0	6.0
10016AA0107.0	7.0
10016AA0108.0	8.0
10016AA0109.0	9.0
10016AA0110.0	10.0
10016AA0111.0	11.0
10016AA0112.0	12.0
10016AA0113.0	13.0
10016AA0114.0	14.0
10016AA0115.0	15.0
10016AA0116.0	16.0
10016AA0117.0	17.0
10016AA0118.0	18.0
10016AA0119.0	19.0
10016AA0120.0	20.0
10016AA0121.0	21.0
10016AA0122.0	22.0
10016AA0123.0	23.0
10016AA0124.0	16.0
10016AA0125.0	25.0

P/N	A
10016AA0126.0	26.0
10016AA0127.0	27.0
10016AA0128.0	28.0
10016AA0129.0	29.0
10016AA0130.0	30.0
10016AA0131.0	31.0
10016AA0132.0	32.0
10016AA0133.0	33.0
10016AA0134.0	34.0
10016AA0135.0	35.0
10016AA0136.0	36.0
10016AA0137.0	37.0
10016AA0138.0	38.0
10016AA0139.0	39.0
10016AA0140.0	40.0
10016AA0141.0	41.0
10016AA0142.0	42.0
10016AA0143.0	43.0
10016AA0144.0	44.0
10016AA0145.0	45.0
10016AA0146.0	46.0

P/N	A
10016AA0147.0	47.0
10016AA0148.0	48.0
10016AA0149.0	49.0
10016AA0150.0	50.0
10016AA0151.0	51.0
10016AA0152.0	52.0
10016AA0153.0	53.0
10016AA0154.0	54.0
10016AA0155.0	55.0
10016AA0156.0	56.0
10016AA0157.0	57.0
10016AA0158.0	58.0
10016AA0159.0	59.0
10016AA0160.0	60.0
10016AA0161.0	61.0

Special request only:  
 Colour: White  
 Material code: AA02 instead of AA01 used

		TITLE <b>HEXAGONAL METRIC THREADED SPACER</b>	
		MATERIAL PA6.6 HB (UL94)	DATE 21/03/2022
PART NUMBER SEE TABLE		DRAWING NUMBER 22.03.21.10016.0.E	
DRAWN A.C.		CHECK	
COLOR BLACK		APPROVED	
SIZE A4	SCALE NTS	UNIT mm.	REV A
UNLESS OTHERWISE SPECIFIED TOLERANCE SEE ABOVE		APPROVED	