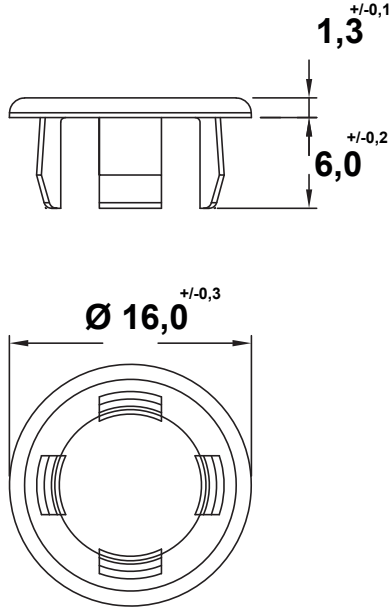



| REVISIONS |             |      |    |
|-----------|-------------|------|----|
| REV       | DESCRIPTION | DATE | BY |
|           |             |      |    |
|           |             |      |    |



| P/N       | COLOR   |
|-----------|---------|
| 15957AA01 | BLACK   |
| 15957AA00 | NATURAL |
| 15957AA11 | GREY    |

MOUNTING HOLES  $\varnothing 12,0$   
 PANEL THICKNESS 0,8 - 3,8

|   |  |          |  |  |                    |
|---|--|----------|--|--|--------------------|
|  |  |          |  | TITLE<br><b>HOLE PLUGS</b>                           |                    |
|   |  |          |  | MATERIAL<br>PA66 V2(UL94)                            | DATE<br>10/02/2022 |
| PART NUMBER<br>SEE TABLE  |  |          |  | DRAWN<br>A.C.  |                    |
|   |  |          |  | DRAWING NUMBER<br>22.02.10.15957.0.E                 |                    |
| SIZE<br>A4  |  |          |  | COLOR<br>SEE TABLE                                   |                    |
|   |  |          |  | SCALE<br>2:1   |                    |
| UNIT<br>mm.   |  | REV<br>A |  | UNLESS OTHERWISE SPECIFIED<br>TOLERANCE<br>SEE ABOVE |                    |
|   |  |          |  | APPROVED   |                    |