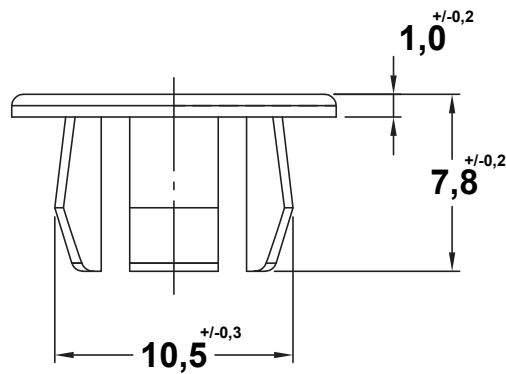
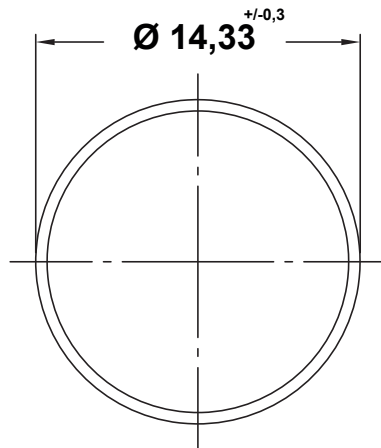
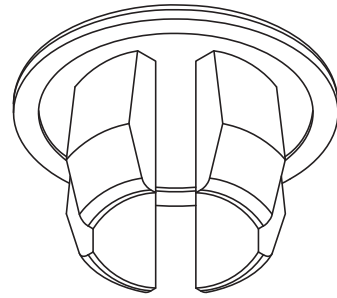



REVISIONS			
REV	DESCRIPTION	DATE	BY



MOUNTING HOLES Ø 9,5
PANEL THICKNESS 0,8 - 3,6
SHRINKING IS NORMAL STATUS

				TITLE HOLE PLUGS	
				MATERIAL PA66 V2(UL94)	DATE 17/12/2021
PART NUMBER 15956AA01				DRAWN A.C.	
				DRAWING NUMBER 21.12.17.15956.0.E	
SIZE A4				COLOR BLACK	
SCALE 3:1				CHECK	
UNIT mm.				UNLESS OTHERWISE SPECIFIED TOLERANCE SEE ABOVE	
REV A				APPROVED	