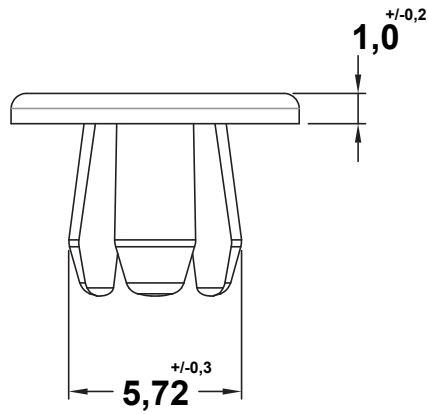
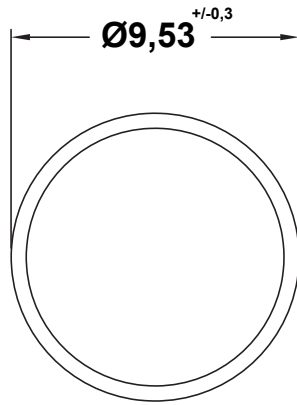



REVISIONS			
REV	DESCRIPTION	DATE	BY



MOUNTING HOLES $\text{Ø} 4,8^{+/-0,1}_{-0}$
 PANEL THICKNESS 0,8 - 3,6

				TITLE HOLE PLUGS	
				MATERIAL PA66 V2(UL94)	DATE 17/12/2021
PART NUMBER 15954AA01				DRAWN A.C.	
				CHECK	
DRAWING NUMBER 21.12.17.15954.0.E		COLOR BLACK		UNLESS OTHERWISE SPECIFIED TOLERANCE SEE ABOVE	
SIZE A4	SCALE 4:1	UNIT mm.	REV A	APPROVED	