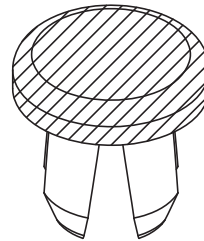
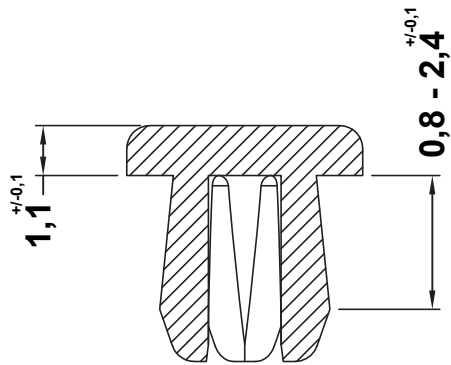
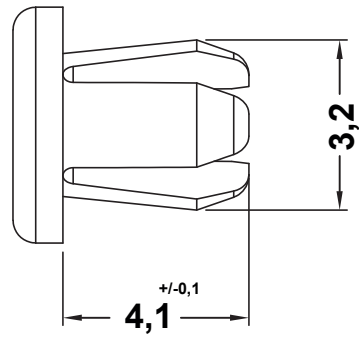
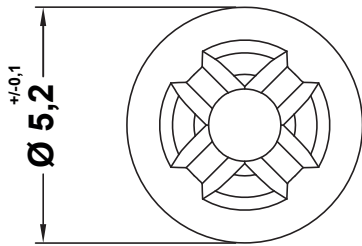


REVISIONS			
REV	DESCRIPTION	DATE	BY



P/N	COLOR
15953AA01	BLACK
15953AA01	WHITE



TITLE HOLE PLUGS		MATERIAL PA66 V2(UL94)		DATE 17/12/2021	
		COLOR SEE ABOVE		DRAWN A.C.	
PART NUMBER SEE TABLE		DRAWING NUMBER 21.12.17.15953.0.E		CHECK APPROVED	
SIZE A4	SCALE 6:1	UNIT mm.	REV A	UNLESS OTHERWISE SPECIFIED TOLERANCE SEE ABOVE	