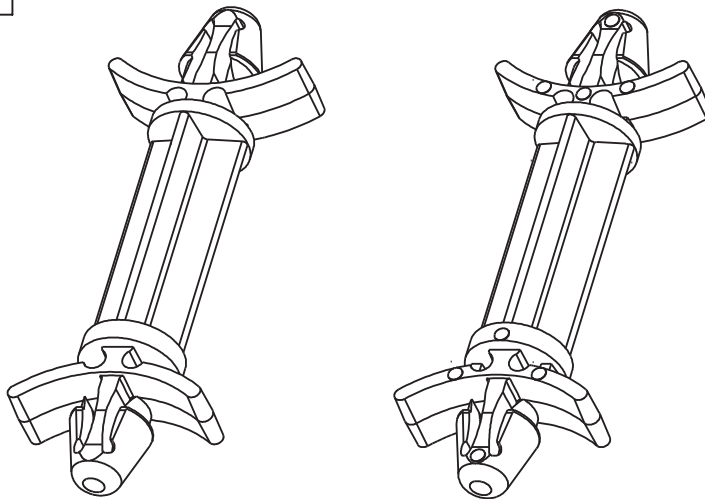
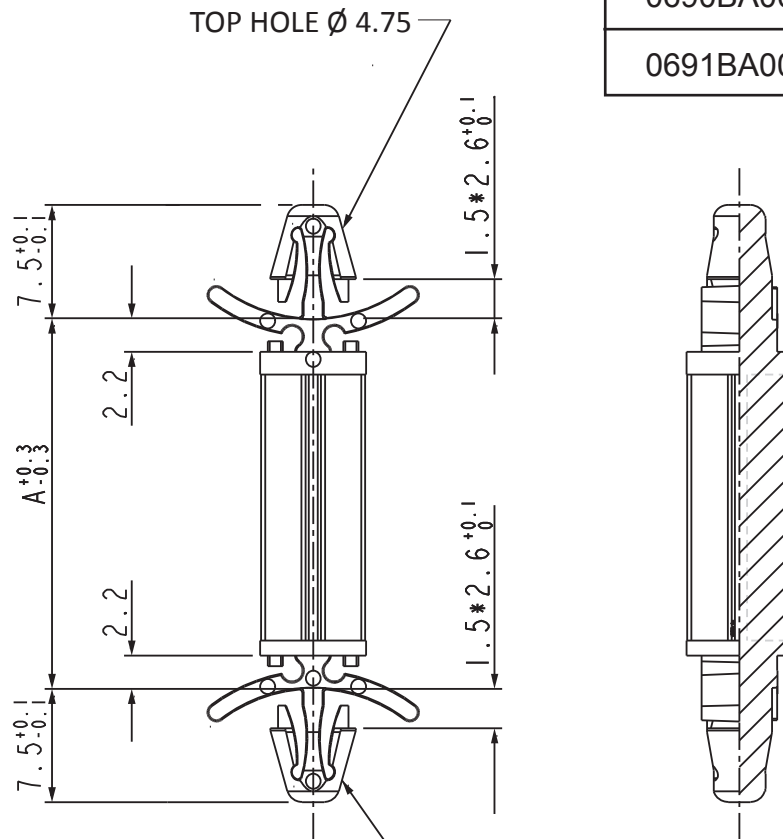


DIM.	TOL.
5mm DOWN	±0.2
5~20mm	±0.3
20~40mm	±0.4
40~60mm	±0.5
60~100mm	±0.8
100mm UP	±1.0

REVISIONS			
REV	DESCRIPTION	DATE	BY



PART.No	A
0686BA00	8,5
0687BA00	11,7
0688BA00	14,8
0689BA00	18,0
0690BA00	21,2
0691BA00	24,2



NOTE:  
Panel thickness 1,5 - 2,6 mm



<b>fastpoint</b>		TITLE		DUAL LOCKING P.C.B. SPACERS	
		MATERIAL		PA6.6 UL94V-2	
PART NUMBER		DRAWING NUMBER		DATE	
SEE TABLE		22.02.18.0686.0.E		18/02/2022	
SIZE		UNIT		DRAWN	
A4		mm		A.C.	
SCALE		REV		CHECK	
2:1		B		UNLESS OTHERWISE SPECIFIED TOLERANCE	
				SEE ABOVE	
				APPROVED	