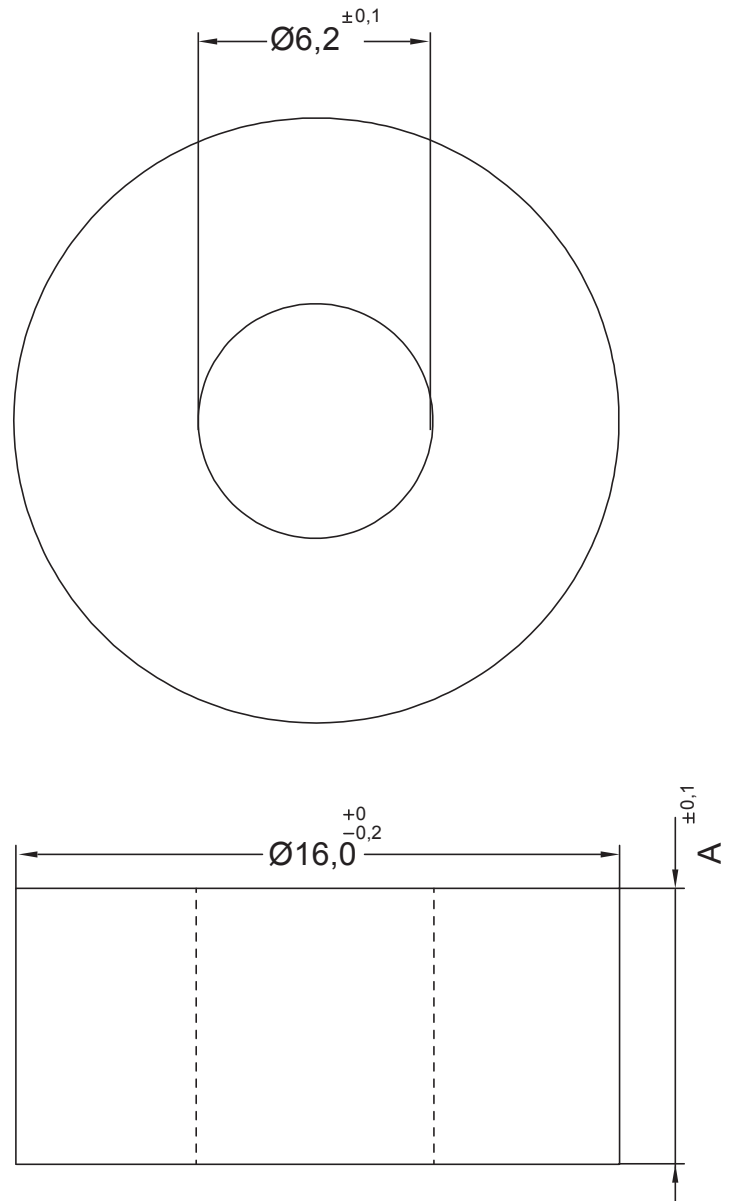



REVISIONS			
REV	DESCRIPTION	DATE	BY

P/N	A
10133BB0103.0	3.0
10133BB0104.0	4.0
10133BB0105.0	5.0
10133BB0106.0	6.0
10133BB0107.0	7.0
10133BB0108.0	8.0
10133BB0109.0	9.0
10133BB0110.0	10.0
10133BB0111.0	11.0
10133BB0112.0	12.0
10133BB0113.0	13.0
10133BB0114.0	14.0
10133BB0115.0	15.0
10133BB0116.0	16.0
10133BB0117.0	17.0
10133BB0118.0	18.0
10133BB0119.0	19.0
10133BB0120.0	20.0
10133BB0121.0	21.0
10133BB0122.0	22.0
10133BB0123.0	23.0
10133BB0124.0	24.0
10133BB0125.0	25.0
10133BB0126.0	26.0
10133BB0127.0	27.0
10133BB0128.0	28.0
10133BB0129.0	29.0
10133BB0130.0	30.0



				TITLE ROUND P.C.B SPACERS	
				MATERIAL PA6 25% GF HB (UL94)	
PART NUMBER SEE TABLE				DRAWING NUMBER 21.12.23.10133.0.E	
				COLOR BLACK	
SIZE A4	SCALE NTS	UNIT mm.	REV A	CHECK	
UNLESS OTHERWISE SPECIFIED TOLERANCE SEE ABOVE				APPROVED	