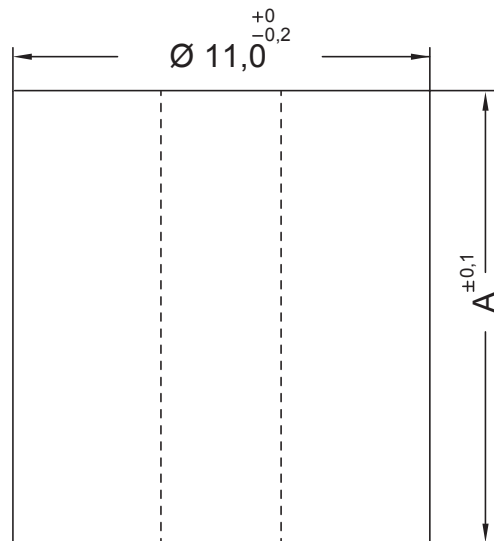
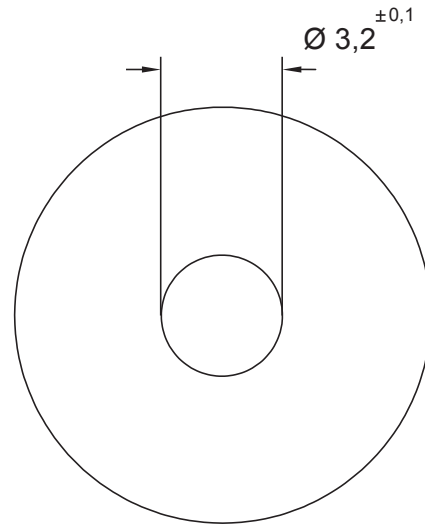



REVISIONS			
REV	DESCRIPTION	DATE	BY

P/N	A
10121BB0102.0	2.0
10121BB0103.0	3.0
10121BB0104.0	4.0
10121BB0105.0	5.0
10121BB0106.0	6.0
10121BB0107.0	7.0
10121BB0108.0	8.0
10121BB0109.0	9.0
10121BB0110.0	10.0
10121BB0111.0	11.0
10121BB0112.0	12.0
10121BB0113.0	13.0
10121BB0114.0	14.0
10121BB0115.0	15.0
10121BB0116.0	16.0
10121BB0117.0	17.0
10121BB0118.0	18.0
10121BB0119.0	19.0
10121BB0120.0	20.0



				TITLE ROUND P.C.B SPACERS	
				MATERIAL PA6 25% GF HB (UL94)	DATE 12/01/2022
PART NUMBER SEE TABLE				DRAWING NUMBER 22.01.12.10121.0.E	
				COLOR BLACK	DRAWN A.C.
SIZE A4	SCALE NTS	UNIT mm.	REV A	UNLESS OTHERWISE SPECIFIED TOLERANCE SEE ABOVE	CHECK APPROVED