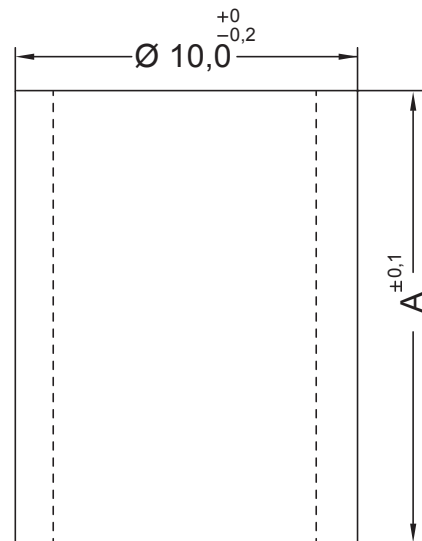
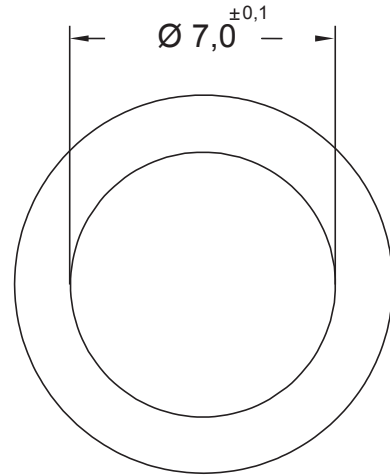



REVISIONS			
REV	DESCRIPTION	DATE	BY

P/N	A	P/N	A
10119BB0102.0	2.0	10119BB0141.0	41.0
10119BB0103.0	3.0	10119BB0142.0	42.0
10119BB0104.0	4.0	10119BB0143.0	43.0
10119BB0105.0	5.0	10119BB0144.0	44.0
10119BB0106.0	6.0	10119BB0145.0	45.0
10119BB0107.0	7.0	10119BB0146.0	46.0
10119BB0108.0	8.0	10119BB0147.0	47.0
10119BB0109.0	9.0	10119BB0148.0	48.0
10119BB0110.0	10.0	10119BB0149.0	49.0
10119BB0111.0	11.0	10119BB0150.0	50.0
10119BB0112.0	12.0	10119BB0151.0	51.0
10119BB0113.0	13.0	10119BB0152.0	52.0
10119BB0114.0	14.0	10119BB0153.0	53.0
10119BB0115.0	15.0	10119BB0154.0	54.0
10119BB0116.0	16.0	10119BB0155.0	55.0
10119BB0117.0	17.0	10119BB0156.0	56.0
10119BB0118.0	18.0	10119BB0157.0	57.0
10119BB0119.0	19.0	10119BB0158.0	58.0
10119BB0120.0	20.0	10119BB0159.0	59.0
10119BB0121.0	21.0	10119BB0160.0	60.0
10119BB0122.0	22.0		
10119BB0123.0	23.0		
10119BB0124.0	24.0		
10119BB0125.0	25.0		
10119BB0126.0	26.0		
10119BB0127.0	27.0		
10119BB0128.0	28.0		
10119BB0129.0	29.0		
10119BB0130.0	30.0		
10119BB0131.0	31.0		
10119BB0132.0	32.0		
10119BB0133.0	33.0		
10119BB0134.0	34.0		
10119BB0135.0	35.0		
10119BB0136.0	36.0		
10119BB0137.0	37.0		
10119BB0138.0	38.0		
10119BB0139.0	39.0		
10119BB0140.0	40.0		



				TITLE ROUND P.C.B SPACERS	
				MATERIAL PA6 25% GF HB (UL94)	
PART NUMBER SEE TABLE				DRAWN A.C.	
DRAWING NUMBER 22.01.12.10119.0.E				CHECK	
COLOR BLACK				APPROVED	
SIZE A4	SCALE NTS	UNIT mm.	REV A	UNLESS OTHERWISE SPECIFIED TOLERANCE SEE ABOVE	