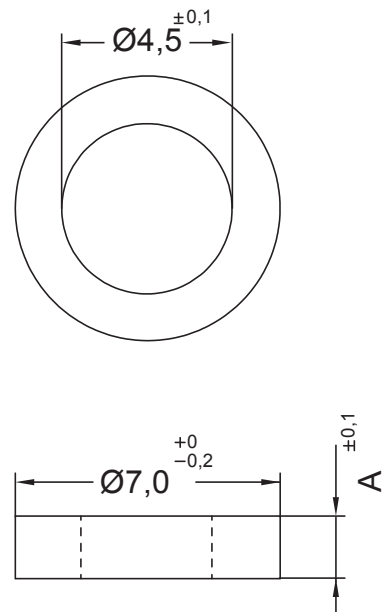



REVISIONS			
REV	DESCRIPTION	DATE	BY

P/N	A
10103BB0102.0	2.0
10103BB0103.0	3.0
10103BB0104.0	4.0
10103BB0105.0	5.0
10103BB0106.0	6.0
10103BB0107.0	7.0
10103BB0108.0	8.0
10103BB0109.0	9.0
10103BB0110.0	10.0
10103BB0111.0	11.0
10103BB0112.0	12.0
10103BB0113.0	13.0
10103BB0114.0	14.0
10103BB0115.0	15.0
10103BB0116.0	16.0
10103BB0117.0	17.0
10103BB0118.0	18.0
10103BB0119.0	19.0
10103BB0120.0	20.0
10103BB0121.0	21.0
10103BB0122.0	22.0
10103BB0123.0	23.0
10103BB0124.0	24.0
10103BB0125.0	25.0
10103BB0126.0	26.0
10103BB0127.0	27.0
10103BB0128.0	28.0
10103BB0129.0	29.0
10103BB0130.0	30.0
10103BB0131.0	31.0
10103BB0132.0	32.0
10103BB0133.0	33.0
10103BB0134.0	34.0
10103BB0135.0	35.0
10103BB0136.0	36.0
10103BB0137.0	37.0
10103BB0138.0	38.0
10103BB0139.0	39.0
10103BB0140.0	40.0

P/N	A
10103BB0141.0	41.0
10103BB0142.0	42.0
10103BB0143.0	43.0
10103BB0144.0	44.0
10103BB0145.0	45.0
10102BB0146.0	46.0
10103BB0147.0	47.0
10103BB0148.0	48.0
10103BB0149.0	49.0
10103BB0150.0	50.0
10103BB0151.0	51.0
10103BB0152.0	52.0
10103BB0153.0	53.0
10103BB0154.0	54.0
10103BB0155.0	55.0
10103BB0156.0	56.0
10103BB0157.0	57.0
10103BB0158.0	58.0
10103BB0159.0	59.0
10103BB0160.0	60.0



				TITLE ROUND P.C.B SPACERS	
				MATERIAL PA6 25% GF HB (UL94)	DATE 12/01/2022
PART NUMBER SEE TABLE				DRAWN A.C.	
				DRAWING NUMBER 22.01.12.10103.0.E	
SIZE A4	SCALE NTS	UNIT mm.	REV A	COLOR BLACK	CHECK
UNLESS OTHERWISE SPECIFIED TOLERANCE SEE ABOVE				APPROVED	