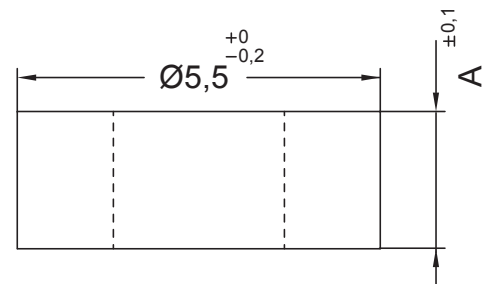
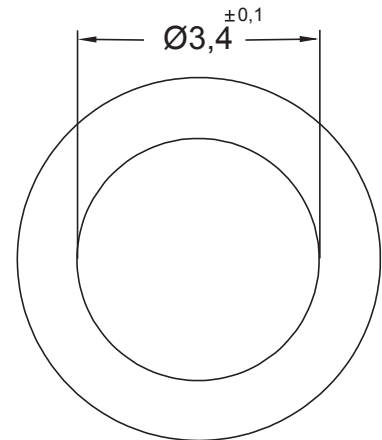



| REVISIONS | | | |
|-----------|-------------|------|----|
| REV | DESCRIPTION | DATE | BY |
| | | | |
| | | | |

| P/N | A |
|---------------|------|
| 10093BB0102.0 | 2.0 |
| 10093BB0103.0 | 3.0 |
| 10093BB0104.0 | 4.0 |
| 10093BB0105.0 | 5.0 |
| 10093BB0106.0 | 6.0 |
| 10093BB0107.0 | 7.0 |
| 10093BB0108.0 | 8.0 |
| 10093BB0109.0 | 9.0 |
| 10093BB0110.0 | 10.0 |
| 10093BB0111.0 | 11.0 |
| 10093BB0112.0 | 12.0 |
| 10093BB0113.0 | 13.0 |
| 10093BB0114.0 | 14.0 |
| 10093BB0115.0 | 15.0 |
| 10093BB0116.0 | 16.0 |
| 10093BB0117.0 | 17.0 |
| 10093BB0118.0 | 18.0 |
| 10093BB0119.0 | 19.0 |
| 10093BB0120.0 | 20.0 |
| 10093BB0121.0 | 21.0 |
| 10093BB0122.0 | 22.0 |
| 10093BB0123.0 | 23.0 |
| 10093BB0124.0 | 24.0 |
| 10093BB0125.0 | 25.0 |
| 10093BB0126.0 | 26.0 |
| 10093BB0127.0 | 27.0 |
| 10093BB0128.0 | 28.0 |
| 10093BB0129.0 | 29.0 |
| 10093BB0130.0 | 30.0 |
| 10093BB0131.0 | 31.0 |
| 10093BB0132.0 | 32.0 |
| 10093BB0133.0 | 33.0 |
| 10093BB0134.0 | 34.0 |
| 10093BB0135.0 | 35.0 |
| 10093BB0136.0 | 36.0 |
| 10093BB0137.0 | 37.0 |
| 10093BB0138.0 | 38.0 |
| 10093BB0139.0 | 39.0 |

| P/N | A |
|---------------|------|
| 10093BB0140.0 | 40.0 |
| 10093BB0141.0 | 41.0 |
| 10093BB0142.0 | 42.0 |
| 10093BB0143.0 | 43.0 |
| 10093BB0144.0 | 44.0 |
| 10093BB0145.0 | 45.0 |
| 10093BB0146.0 | 46.0 |
| 10093BB0147.0 | 47.0 |
| 10093BB0148.0 | 48.0 |
| 10093BB0149.0 | 49.0 |
| 10093BB0150.0 | 50.0 |
| 10093BB0151.0 | 51.0 |
| 10093BB0152.0 | 52.0 |
| 10093BB0153.0 | 53.0 |
| 10093BB0154.0 | 54.0 |
| 10093BB0155.0 | 55.0 |
| 10093BB0156.0 | 56.0 |
| 10093BB0157.0 | 57.0 |
| 10093BB0158.0 | 58.0 |
| 10093BB0159.0 | 59.0 |
| 10093BB0160.0 | 60.0 |



| | | | |
|---|--------------|----------------------------------|--------------------|
|  | | TITLE ROUND P.C.B SPACERS | |
| | | MATERIAL PA6 25% GF HB (UL94) | DATE 24/01/2022 |
| PART NUMBER SEE TABLE | | DRAWN A.C. | |
| DRAWING NUMBER 22.01.24.10102.0.E | | COLOR BLACK | CHECK |
| SIZE A4 | SCALE NTS | UNIT mm. | REV A |
| UNLESS OTHERWISE SPECIFIED TOLERANCE SEE ABOVE | | APPROVED | |