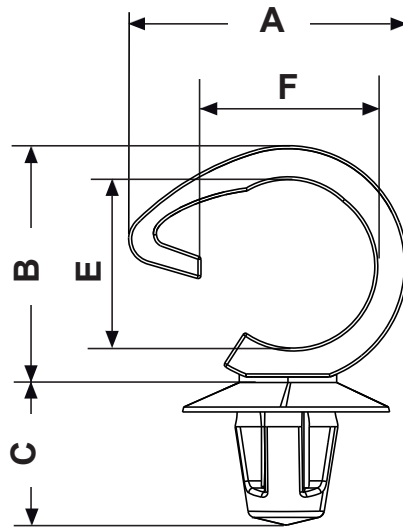
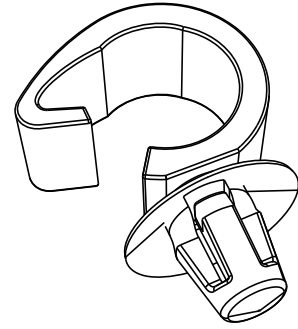
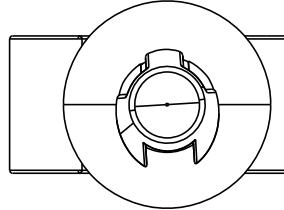
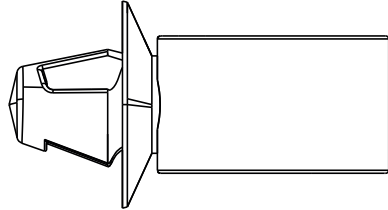



DIM.	TOL.
5mm DOWN	±0.2
5~20mm	±0.3
20~40mm	±0.4
40~60mm	±0.5
60~100mm	±0.8
100mm UP	±1.0

REVISIONS			
REV	DESCRIPTION	DATE	BY



P/N	A	B	C	E	F	Hole	Thickness
5295AA00	12,5	9,0	8,5	4,8	4,8	Ø 6,5	0,7 - 1,2
5296AA00	12,5	12,0	8,0	7,0	7,0	Ø 6,5	0,7 - 1,2
5293AA00	19,0	17,0	8,0	11,0	11,0	Ø 6,5	0,7 - 1,2
4762AA00	19,0	17,0	8,0	11,0	11,0	Ø 6,5	1,5 - 2

NOTES:
- WORKING TEMPERATURE: -35°C +85°C

				TITLE WIRE AND PIPE CLIPS - LATERAL OPENING	
				MATERIAL PA66 V2(UL94)	
PART NUMBER SEE TABLE				DRAWING NUMBER 21.12.09.4762.0.E	
				COLOR NATURAL	
SIZE A4	SCALE NTS	UNIT mm.	REV A	UNLESS OTHERWISE SPECIFIED TOLERANCE SEE ABOVE	
				APPROVED	