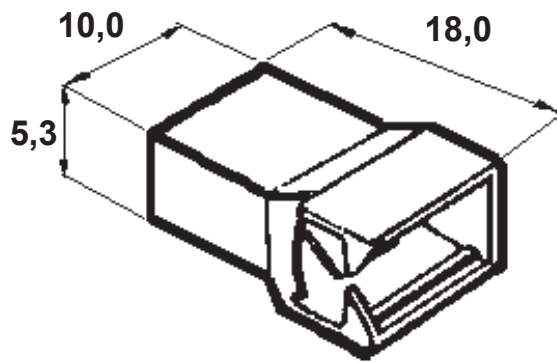



DIM.	TOL.
5mm DOWN	±0.2
5~20mm	±0.3
20~40mm	±0.4
40~60mm	±0.5
60~100mm	±0.8
100mm UP	±1.0

REVISIONS			
REV	DESCRIPTION	DATE	BY



NOTES:

- TERMINAL GROOVE WIDTH 6,3
- FOR RECEPTACLE

				TITLE CAPS			
				MATERIAL PA V2(UL94)		DATE 03/12/2021	
						DRAWN A.C.	
PART NUMBER 1151AA00		DRAWING NUMBER 21.12.03.1151.0.E		COLOR NATURAL		CHECK	
SIZE A4	SCALE NTS	UNIT mm.	REV A	UNLESS OTHERWISE SPECIFIED TOLERANCE SEE ABOVE		APPROVED	