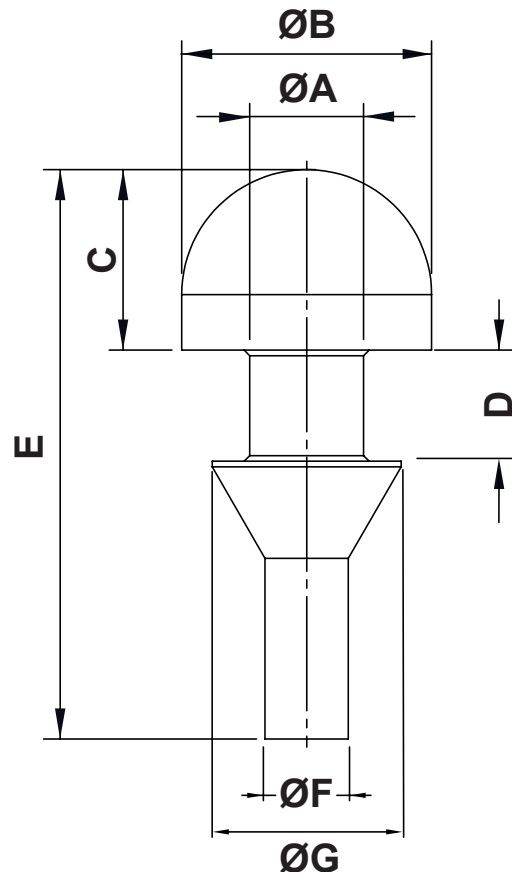


DIM.	TOL.
5mm DOWN	±0.2
5~20mm	±0.3
20~40mm	±0.4
40~60mm	±0.5
60~100mm	±0.8
100mm UP	±1.0

REVISIONS			
REV	DESCRIPTION	DATE	BY




P/N	A	B	C	D	E	F	G	Material
11234NR01	3,7	7,0	3,5	2,8	14,5	3,2	5,2	NBR 80 Shore A
11236GS01	4,0	8,0	5,3	2,0	18,0	3,0	5,5	EPDM 50 Shore A
11237GS01	4,1	9,0	6,5	4,0	20,5	3,0	6,8	EPDM 40 Shore A
11239GS01	7,0	14,0	7,0	3,2	24,2	6,0	8,6	EPDM 65 Shore A
11240GS01	8,0	15,4	8,7	1,0	25,4	6,0	10,0	EPDM 65 Shore A

NOTES:

-WORKING TEMPERATURE:

EPDM: -40°C ~ + 120°C

NBR: -35°C ~ + 110°C

				TITLE BUMPER	
				MATERIAL SEE ABOVE	
PART NUMBER SEE TABLE				DRAWING NUMBER 21.12.07.11234.0.E	
				COLOR BLACK	
SIZE A4		SCALE NTS		UNIT mm.	
REV A		UNLESS OTHERWISE SPECIFIED TOLERANCE SEE ABOVE		APPROVED	